

Service Manual

Personal Computer

CF-W4

This is the Service Manual for
the following areas.
M ...for U.S.A. and Canada

Model No. CF-W4GWCZZ 1 2

1: Operation System

B: Microsoft® Windows® XP Professional

2: Area

M: Refer to above area table

 **WARNING**

This service information is designed for experienced repair technicians only and is not designed for use by the general public. It does not contain warnings or cautions to advise non-technical individuals of potential dangers in attempting to service a product. Products powered by electricity should be serviced or repaired only by experienced professional technicians. Any attempt to service or repair the product or products dealt with in this service information by anyone else could result in serious injury or death.

Panasonic[®]

© 2005 Matsushita Electric Industrial Co., Ltd. All rights reserved.
Unauthorized copying and distribution is a violation of law.

WARNINGS

For U.K.

This apparatus must be earthed for your safety.

To ensure safe operation the three-pin plug must be inserted only into a standard three-pin power point which is effectively earthed through the normal household wiring.

Extension cords used with the equipment must be three-core and be correctly wired to provide connection to earth. Wrongly wired extension cords are a major cause of fatalities.

The fact that the equipment operates satisfactorily does not imply that the power point is earthed and that the installation is completely safe.

For your safety, if you have any doubt about the effective earthing of the power point, consult a qualified electrician.

FOR YOUR SAFETY PLEASE READ THE FOLLOWING TEXT CAREFULLY

This appliance is supplied with a moulded three pin mains plug for your safety and convenience.

A 3 amp fuse is fitted in this plug.

Should the fuse need to be replaced please ensure that the replacement fuse has a rating of 3 amps and that it is approved by ASTA or BSI to BS 1362.

Check for the ASTA mark  or the BSI mark  on the body of the fuse.

If the plug contains a removable fuse cover you must ensure that it is refitted when the fuse is replaced.

If you lose the fuse cover the plug must not be used until a replacement cover is obtained.

A replacement fuse cover can be purchased from your local Panasonic Dealer.

IF THE FITTED MOULDED PLUG IS UNSUITABLE FOR THE SOCKET OUTLET IN YOUR HOME THEN THE FUSE SHOULD BE REMOVED AND THE PLUG CUT OFF AND DISPOSED OF SAFELY.

THERE IS A DANGER OF SEVERE ELECTRICAL SHOCK IF THE CUT OFF PLUG IS INSERTED INTO ANY 13 AMP SOCKET.

If a new plug is to be fitted please observe the wiring code as shown below.

If in any doubt please consult a qualified electrician.


Warning: THIS APPLIANCE MUST BE EARTHED.

Important

The wires in this mains lead are coloured in accordance with the following code:

Green-and-yellow:	Earth
Blue:	Neutral
Brown:	Live

As the colours of the wires in the mains lead of this apparatus may not correspond with the coloured markings identifying the terminals in your plug, proceed as follows:

The wire which is coloured GREEN-and-YELLOW must be connected to the terminal in the plug which is marked by the letter E or by the safety earth symbol  coloured GREEN or GREEN-and-YELLOW.

The wire which is coloured Blue must be connected to the terminal which is marked with the letter N or coloured BLACK.

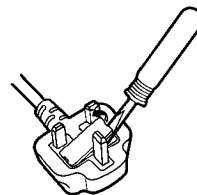
The wire which is coloured Brown must be connected to the terminal which is marked with the letter L or coloured RED.

The mains plug on this equipment must be used to disconnect the mains power.

Please ensure that a socket outlet is available near the equipment and shall be easily accessible.

How to replace the fuse

Open the fuse compartment with a screw-driver and replace the fuse.



Warnings

- This equipment is not designed for connection to an IT power system.
(An IT system is a system having no direct connections between live parts and Earth; the exposed-conductive-parts of the electrical installation are earthed.
An IT system is not permitted where the computer is directly connected to public supply systems in the U.K.)
- Disconnect the mains plug from the supply socket when the computer is not in use.

This equipment is produced to BS800/1983.

1 Read Me First

Safety precautions

1. Before servicing, unplug the power cord to prevent an electric shock.
2. When replacing parts, use only manufacture's recommended components for safety.
3. Check the condition of the power cord. Replace if wear or damage is evident.
4. After servicing, be sure to restore the lead dress, insulation barriers, insulation papers, shields, etc.

Lithium Battery

Lithium Battery!

This computer contains a lithium battery to enable the date, time, and other data to be stored. The battery should only be exchanged by authorized service personnel.

Warning! A risk of explosion from incorrect installation or mis-application may possibly occur.

LITHIUM BATTERY

• CAUTION

Danger of explosion if battery is incorrectly replaced.

Replace only with the same or equivalent type recommended by the equipment manufacture.

Discard used batteries according to the manufacturer's instructions.

LASER SAFETY INFORMATION

For U.S.A

Class 1 LASER-Product

This product is certified to comply with DHHS Rules 21 CFR Subchapter J.

This product complies with European Standard EN60825 (or IEC Publication 825)

For all areas

This equipment is classified as a class 1 level LASER product and there is no hazardous LASER radiation.

Caution:

- (1) Use of controls or adjustments or performance of procedures other than those specified herein may result in hazardous radiation exposure.
- (2) The drive is designed to be incorporated into a computer-based system or unit which has an enclosing cover. It should never be used as a stand alone drive.

Danger:

The serviceman should not remove the cover of drive unit and should not service because the drive unit is a non-serviceable part.

Please check DANGER label on bottom cabinet of the equipment.

- Unplug the AC power cord and remove the battery pack from the equipment before opening the top cover of the drive.
- When the power switch it on, do not place your eyes close to the top cover to look into the interior of the unit.

LASER Specification

Class 1 level LASER Product

Wave Length:	DVD	650~660 nm
	CD	778~787 nm

Laser safety information is appropriate only when drive with laser is installed.

Precautions

● Usage

Avoid Extreme Heat and Cold

Do not store or use the computer in locations exposed to heat, direct sunlight, or extreme cold.

Avoid moving the computer between locations with large temperature difference.

Operation: 5 °C to 35 °C {41 °F to 95 °F}

Storage: -20 °C to 60 °C {-4 °F to 140 °F}



Avoid Direct Sunlight on the LCD Panel

The LCD panel should not be exposed to direct sunlight or ultraviolet light.



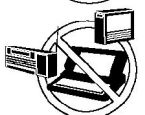
Avoid Humidity, Liquids and Dust

Do not store or use the computer in locations exposed to high humidity, liquids (including rain) or dust.



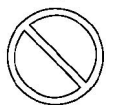
Prevent Shock

Avoid subjecting the computer to severe vibrations or impact. Do not place the computer inside a car trunk.



Avoid Radio Frequency Interference

Do not place the computer near a television or radio receiver.



Avoiding low-temperature burns

Avoid more than casual contact with any heat producing area of the notebook computer, AC adaptor, and any option or accessory you use with it. Even low heat, if warmer than body temperature, can cause a burn, if the skin is exposed to the heat source for a long enough period of time.

● Handling



Avoid Magnetic Fields

Keep the computer away from magnets. Data stored on the hard disk may be lost.



Avoid Stacking

Do not place heavy objects on top of the computer.



Keep Small Objects Away

Do not insert paper clips or other small objects into the computer.



Do Not Disassemble the Computer

Do not attempt to disassemble your computer.



Avoid Excessive Force on the Display

Do not apply excessive downward force on the display.

● Cables

Use of an interface cable longer than 3 m (9.84 feet) is not recommended.

Precautions (Battery Pack)

- Care should be exercised with regard to the following in order to avoid the possibility of overheating, fire or damage.



Avoid Heat

Do not throw the battery pack into a fire or expose it to excessive heat.



Keep Articles Away

Do not place the battery pack together with articles such as necklaces or hairpins when carrying or storing.



Do Not Disassemble

Do not insert sharp objects into the battery pack, expose it to bumps or shocks, deform, disassemble, or modify it.



Do Not Short

Do not short the positive (+) and negative (-) contacts.



Avoid Extreme Heat, Cold and Direct Sunlight

Do not charge, use or leave the battery pack for extended periods where it will be exposed to direct sunlight, in a hot place (in a car on a sunny day, for example), or in a cold place.



Do Not Use With Any Other Computer

The battery pack is rechargeable and was intended for the specified computer. Do not use it with a computer other than the one for which it was designed.



Do Not Put into a Microwave

Do not put the battery pack into a microwave oven or a pressurized chamber.



Stop Using

Should the battery emit an abnormal odor, become hot to the touch, become discolored, change shape, or become in any way different from normal, remove it from the computer and stop using it.

- Do not touch the terminals on the battery pack. The battery pack may no longer function properly if the contacts are dirty or damaged.
- Do not expose the battery pack to water, or allow it to become wet.

- If the battery pack will not be used for a long period of time (a month or more), charge or discharge (use) the battery pack until the remaining battery level becomes 30% to 40% and store it in a cool, dry place.
- This computer prevents overcharging of the battery by recharging only when the remaining power is less than approx. 95% of capacity.
- The battery pack is not charged when the computer is first purchased. Be sure to charge it before using it for the first time. When the AC adaptor is connected to the computer, charging begins automatically.
- Should the battery leak and the fluid get into your eyes, do not rub your eyes. Immediately flush your eyes with clear water and see a doctor for medical treatment as soon as possible.

NOTE

- The battery pack may become warm during recharging or normal use. This is completely normal.
- Recharging will not commence outside of the allowable temperature range (0 °C to 55 °C {32°F to 131 °F}). (☞ Reference Manual “Battery Power”) Once the allowable range requirement is satisfied, charging begins automatically. Note that the recharging time varies based on the usage conditions. (Recharging takes longer than usual when the temperature is 10 °C {50 °F} or less.)
- If the temperature is low, the operating time is shortened. Only use the computer within the allowable temperature range.
- The battery pack is a consumable item. If the amount of time the computer can be run off a particular battery pack becomes dramatically shorter and repeated rechargings do not restore its performance, the battery pack should be replaced with a new one.
- When transporting a spare battery inside a package, briefcase, etc., it is recommended that it be placed in a plastic bag so that its contacts are protected.
- Always power off the computer when it is not in use. Leaving the computer on when the AC adaptor is not connected will exhaust the remaining battery capacity.

Saving Data on the Hard Disk

- **Do not expose your computer to shock.**
Use care when handling your computer, shock may damage your hard disk or make your software applications and data unusable.
- **Do not power off your computer while software applications are running or hard disk drive indicator (LED) is on.**
Properly shut Windows* down to avoid problems.
- **Save all valuable data to disks.**
Backing up data to disks will limit damage should trouble occur to your computer or should you inadvertently change or erase data.
- **Use the security function for all important data.**

* This computer uses Microsoft® Windows® XP Professional.

Computer Viruses

Users are advised to purchase the latest versions of virus protection software and use them regularly.

We recommend you run the software:

- After booting your Computer.
- After receiving data.

We recommend that you check data received on disks or from external sources, such as data downloaded from the Internet, e-mail, etc. (For compressed files, uncompress them before running a check).

When Using Peripheral Devices

Pay strict attention to the following points to avoid damage to the computer, peripheral devices, cables, etc. Also, in addition to following the manual and the Reference Manual, carefully read the instruction manuals for the peripheral devices being used.

- Use only peripheral devices that conform to the computer's specifications.
- Connect the devices properly, paying close attention to the condition and position of the connectors.
- If a connection cannot be made easily, do not apply undue force; check once more to confirm the condition and position of the connector (alignment of pins, etc.).
- If the connector has holding screws, fasten the screws firmly.
- Do not carry the computer with cables attached, and do not pull on the cables forcefully.

When Disposing of or Transferring Ownership of This Device

When disposing of or transferring ownership of this device, erase all data on the hard disk in order to prevent the theft of hard disk data. Even if you delete data or initialize the hard disk through normal Windows commands, data can still be read using special software. In order to erase all data, either have the data erased by a specialist (at a charge) or use the hard disk data erase utility (included). (Note that this hard disk data erase utility does not guarantee that data will be completely erased.)

Also note that if you transfer ownership of this device without deleting commercial software that you have installed to the hard disk, you may be in violation of licensing agreement for that software.

Usage Environment

● Environment

- Place the computer on a flat stable surface. Do not place the computer upright or allow it to tip over.
When the computer receives extremely strong shock after falling, the hard disk may become inoperable.
- In use: Temperature: 5 °C to 35 °C {41 °F to 95 °F}
Humidity: 30% to 80% RH (No condensation)
- Not in use: Temperature: -20 °C to 60 °C {-4 °F to 140 °F}
Humidity: 30% to 90% RH (No condensation)

● Places not to use your computer

- Such areas may result in damage to the computer.

Areas with electronic equipment

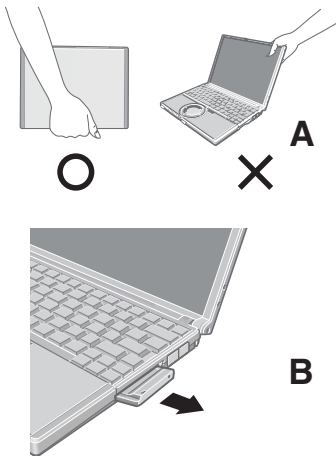
These areas may interfere with your display or cause your computer to produce strange sounds.

Areas with extremely high/low temperatures

- Do not leave things near the computer that are sensitive to heat. During operation, the computer may become warm.

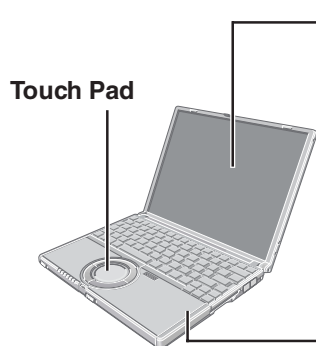


Handling



- This computer has been designed so as to minimize shock to the LCD and hard disk drive, etc., but no warranty is provided against such trouble. Therefore, as a precision instrument, be extremely careful in the handling.
- Do not carry the computer while the display is open, or carry it by gripping the display or the cabinet around the display (see figure A). When closing the display, ensure that the latch is positioned correctly in the slot.
- Do not carry your computer when the power is on.
- Do not drop or hit your computer against solid objects.
- Remove all external devices, cables, PC Cards sticking out of the computer (see figure B), SD memory cards, and MultiMedia Cards before transporting the computer.
- We recommend preparing a fully charged battery pack.
When transporting a spare battery pack inside a package, briefcase, etc., it is recommended that it be placed in a plastic bag so that its contacts are protected.
- Always carry your computer with you. Never check it in with luggage. For use of the computer inside an aircraft, we recommend asking the airlines regarding their policy on this issue.
- It is a good idea to make backup copies on disks and carry them with you.

Maintenance



Display

Avoid using water when cleaning the panel. Ingredients included in water may leave scratches and reduce readability of the screen.

<When cleaning dust/dirt>

Avoid rubbing off dust/dirt with cloth since it may leave scratch on the screen.

Sweep dust/dirt with fine brush, then wipe it with a dry soft cloth used for cleaning glasses.

<When cleaning oily surface>

Apply camera lens cleaner on a soft gauze and clean it with gentle force. Then, wipe with a dry soft cloth used for cleaning glasses.

Areas excluding the display

Wipe these areas with a soft cloth, after applying water or detergent diluted with water to the soft cloth and firmly wringing out excess water.

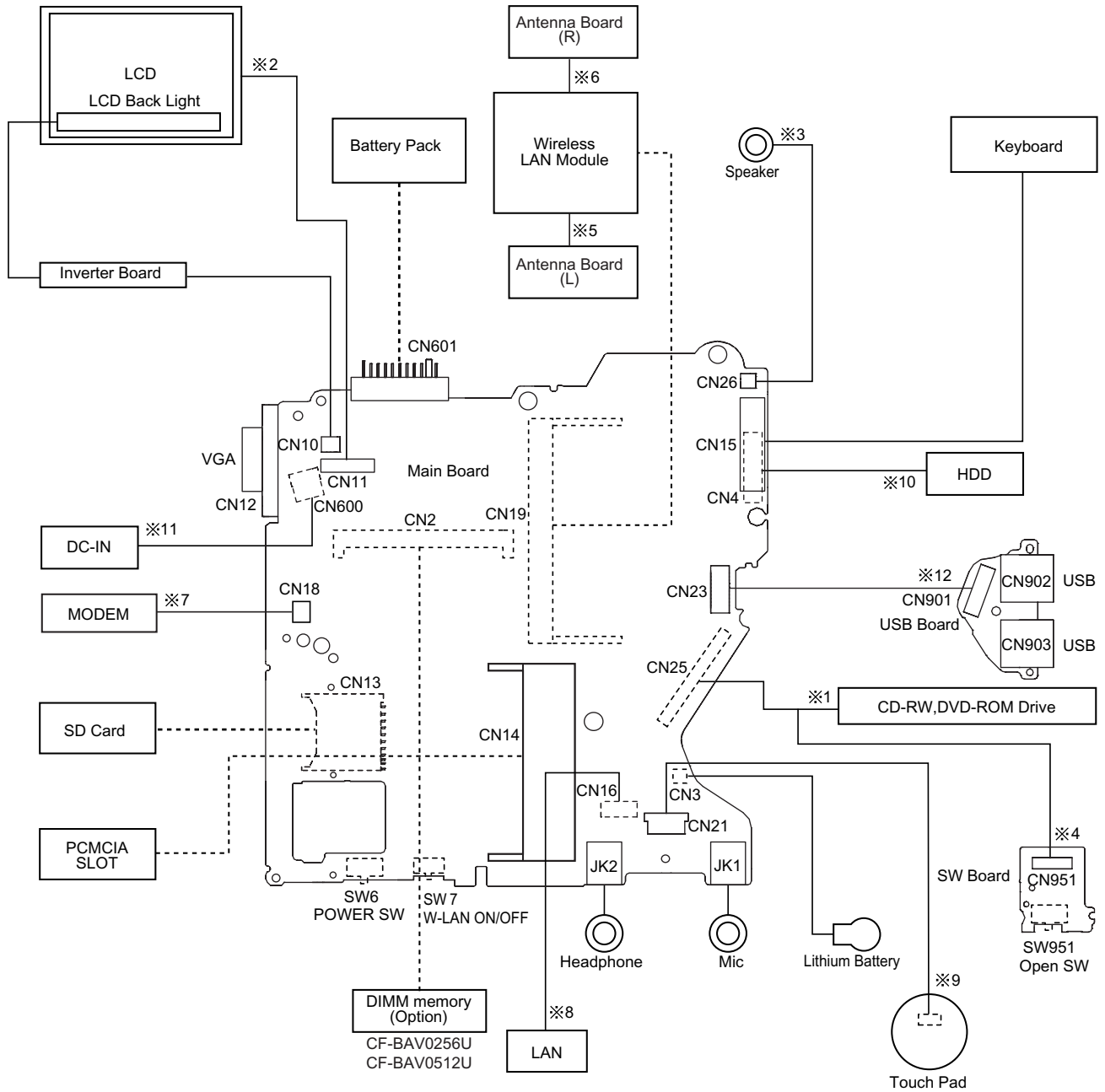
CAUTION

- Do not use benzene, thinner, or rubbing alcohol. Doing so may adversely affect the surface, e.g., discoloration. In addition, do not use commercially-available household cleaners and cosmetics, as they may contain components harmful to the surface.
- Do not directly add or spray water or detergent. If liquid enters the inside of the computer, it may cause it to work improperly or be damaged.

1 Connection Diagram

- Connection by Cable
- - - Direct connection Connectors
- ⋯ Parts on Bottom Side

Connection Cable		
※1	Drive FFC	DFJK9000ZA
※2	LCD Cable	DFJS957ZA
※3	Speaker Cable	DFJS962ZA
※4	SW Board FFC	DFJE20T108BB
※5	Antenna PCB-L	N1ZYYY000002
※6	Antenna PCB-R	N1ZYYY000001
※7	Modem Cable	DFJS959ZB
※8	LAN Cable	DFJS979ZA
※9	PAD FFC	DFJE12U112BB
※10	HDD FPC Unit	DL3UP1443AAA
※11	DC-IN Cable	DFJS961ZB
※12	Main-Sub Cable	DFJS960ZA

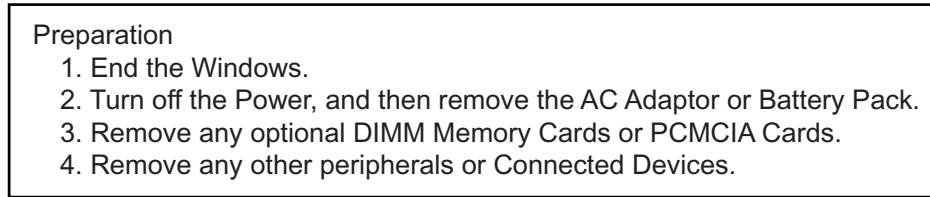


2 Disassembly instructions

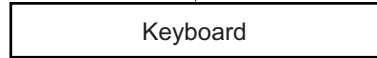
2.1. Disassembly Flow Chart

● Main Unit

9.2.1.



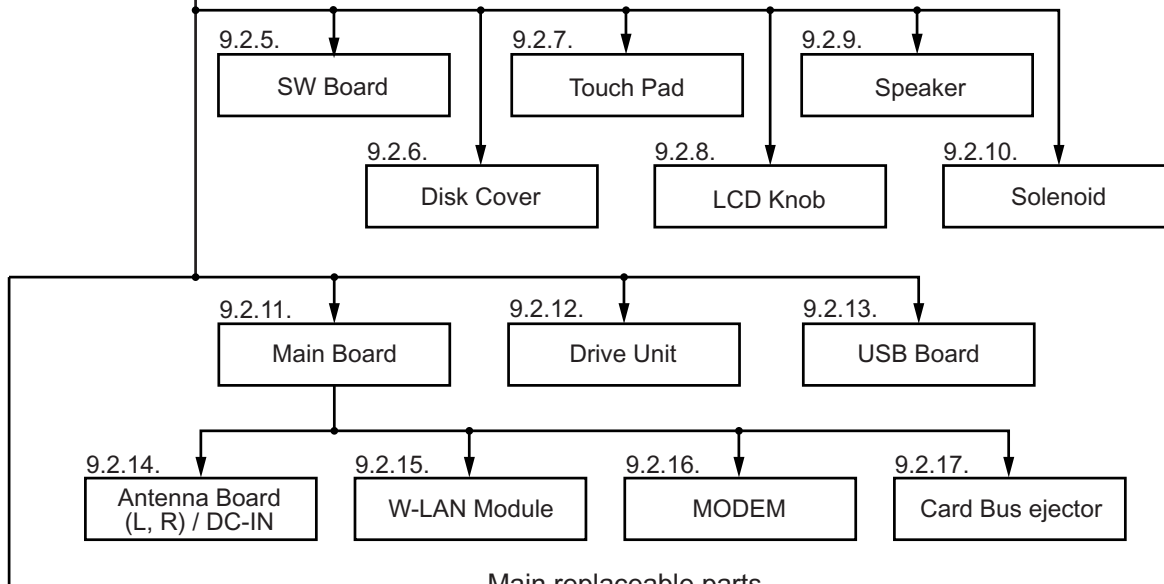
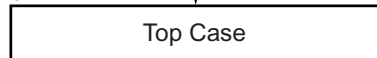
9.2.2.



9.2.3.



9.2.4.



Main replaceable parts

9.2.1.	▪ Battery Pack	9.2.10.	▪ Solenoid
	▪ DIMM Cover	9.2.11.	▪ Main Board
	▪ Side Cover	9.2.12.	▪ Drive Unit
9.2.2.	▪ Keyboard	9.2.13.	▪ USB Board
9.2.3.	▪ HDD	9.2.14.	▪ Antenna Board
	▪ HDD FFC		▪ Antenna Cover(L, R)
	▪ HDD Cover	9.2.15.	▪ W - LAN Module
9.2.4.	▪ Top Case		▪ Heat Spreader
9.2.5.	▪ SW Board	9.2.16.	▪ MODEM
	▪ Disk Cover Open Knob	9.2.17.	▪ Card Bus ejector
9.2.6.	▪ Disk Cover	9.2.18.	▪ LCD Unit
9.2.7.	▪ Touch Pad	9.2.19.	▪ Hinge Cover
	▪ Touch Pad Knob		▪ Hinge (L, R)
	▪ Touch Pad Ring	9.2.20.	▪ LCD Unit
	▪ PAD FFC		▪ LCD Rear
9.2.8.	▪ LCD Knob		▪ LCD Front
9.2.9.	▪ Speaker	9.2.21.	▪ Inverter Board
			▪ LCD Cable

● Display Unit

9.2.18.



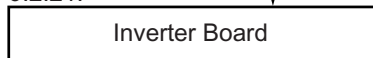
9.2.19.



9.2.20.



9.2.21.



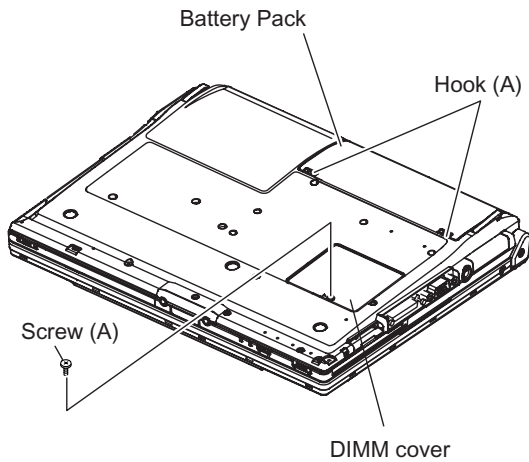
2.2. Disassembly

2.2.1. Preparation

Attention:

Before disassembly, be sure to perform the following steps.

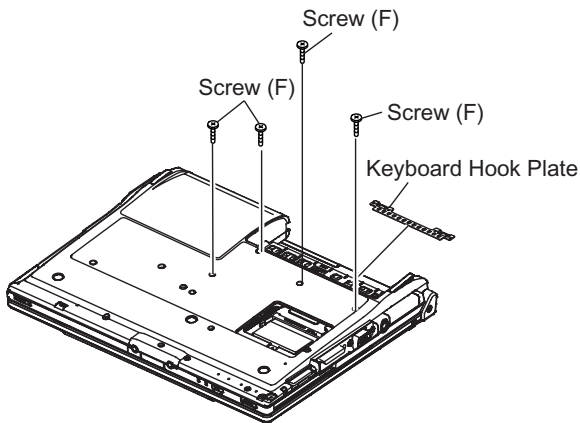
1. End the Windows.
2. Turn off the power and then remove the AC Adaptor.
3. Slide the Hooks (A) and then remove the Battery Pack.
4. Remove the Screw (A) and then remove the DIMM cover.
(Remove if the DIMM memory is equipped with)
Screw(A):XSB2+4FNL(N16)



2.2.2. Remove the Keyboard

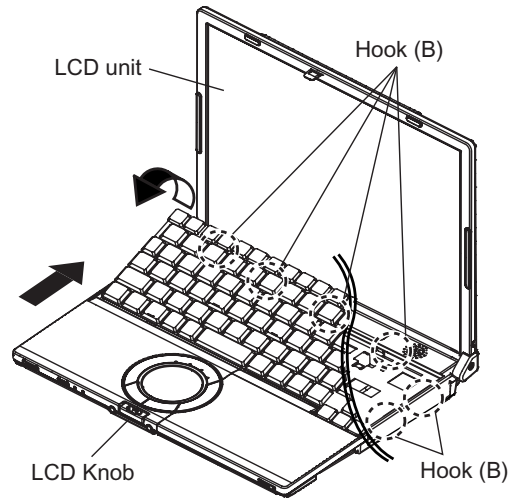
Preparation : perform the section 2.2.1. first.

1. Remove the 4 Screws (F).
Screw(F):DXQT2+E12FNL(N11)
2. Remove the Keyboard Hook Plate and then remove the Hook of back side of Keyboard with small screwdriver.

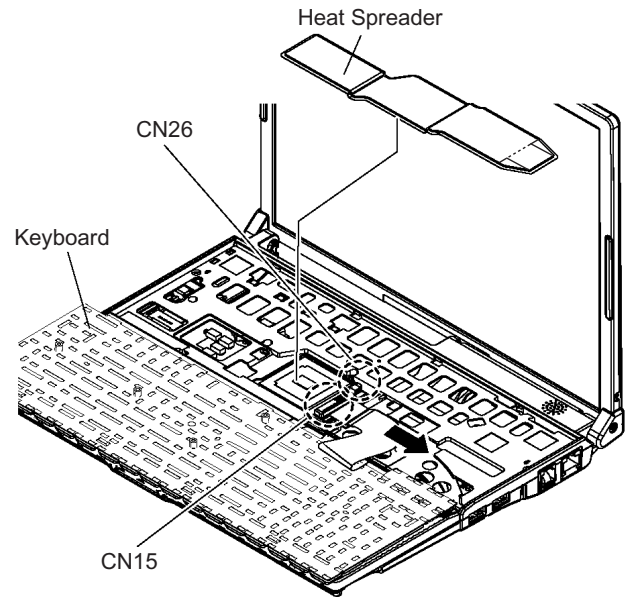


3. The LCD unit is opened up to about 90° by operating the LCD Knob.
4. Remove the 6 Hooks (B).

5. Open the Keyboard from LCD side and then turn it inside out on the Top Case.



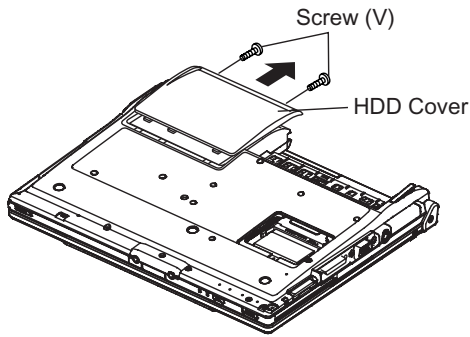
6. Remove the Heat Spreader from bottom of the Keyboard.
7. Remove the Keyboard FFC from the Connector (CN15), (CN26) and then remove the Keyboard.



2.2.3. Remove the HDD

Preparation : perform the section 2.2.1. 2.2.2. first.

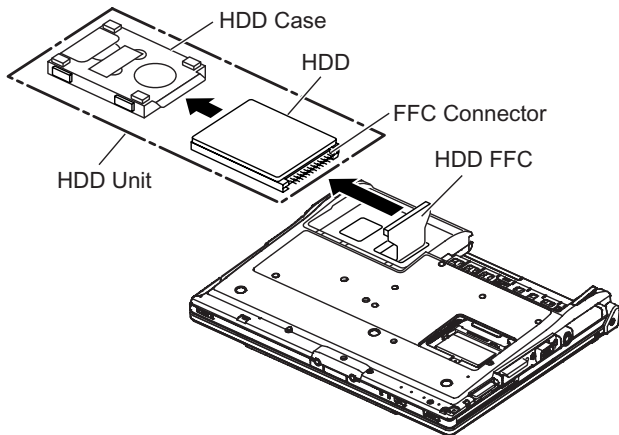
1. Remove the 2 Screws (V).
Screw(V):DFHE5025XA(N1)
2. The slide is done in the direction of the arrow and the HDD Cover is removed.



3. Lift up the HDD Unit and remove the FFC Connector and then remove the HDD Unit.
4. HDD is taken out of the HDD Case.

Note:

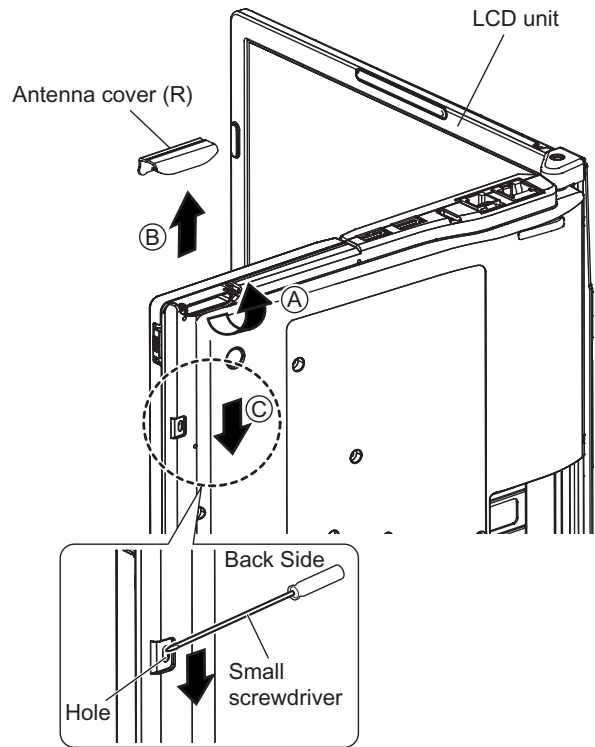
Please do not bend pins of the HDD Connector, at the time of removing HDD and FFC Connector.



2.2.4. Remove the Top Case

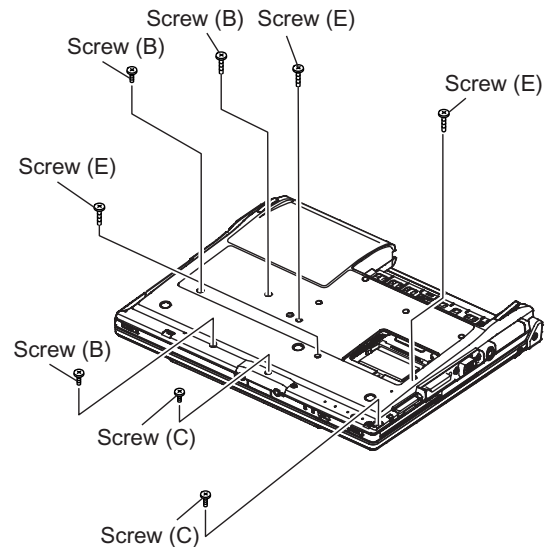
Preparation : perform the section 2.2.1. , 2.2.2. first.

1. Insert a small screwdriver into the hole and slide the lock in the direction shown by arrow (C) to open the Disc Cover.
2. The Antenna Cover (R) is rotated from the Bottom Case side in the direction of arrow (A) and the Antenna Cover (R) removed in the direction of arrow (B).



3. Remove the 3 Screws (B), 2 Screws (C) and 3 Screws (E) from the Bottom Case.

- Screw(B):DRHM0092ZA(N4)
- Screw(C):DXHM0057ZA(N7)
- Screw(E):DXHM0039ZA(N6)



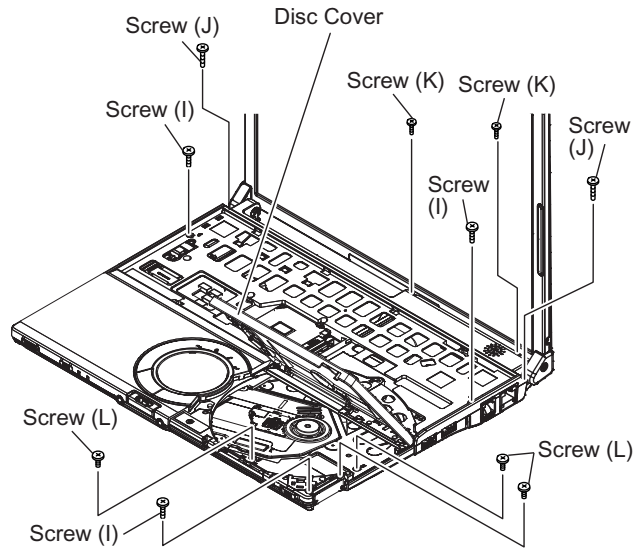
4. Remove the 3 Screws (I), 2 Screws (J), 2 Screws (K) and 2 Screws (L) from the Top Case.

Screw(I):DXQT2+E6FNL(N13)

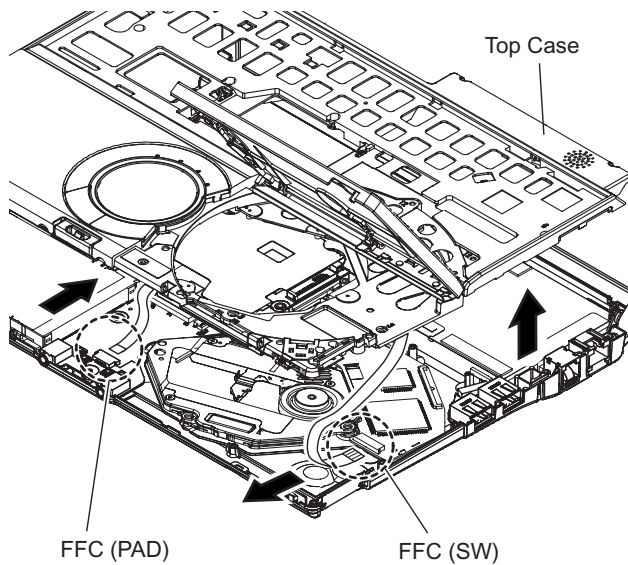
Screw(J):DXQT26+D8FCL(N16)

Screw(K):DXQT2+E6FCL(N12)

Screw(L):DFHE5025XA(N1)



5. Lift up the Top Case, remove the Pad FFC and then remove the Top Case.



2.2.5. Remove the SW Board

Preparation : perform the section 2.2.1. to 2.2.3. first.

1. Peel off the Tape.

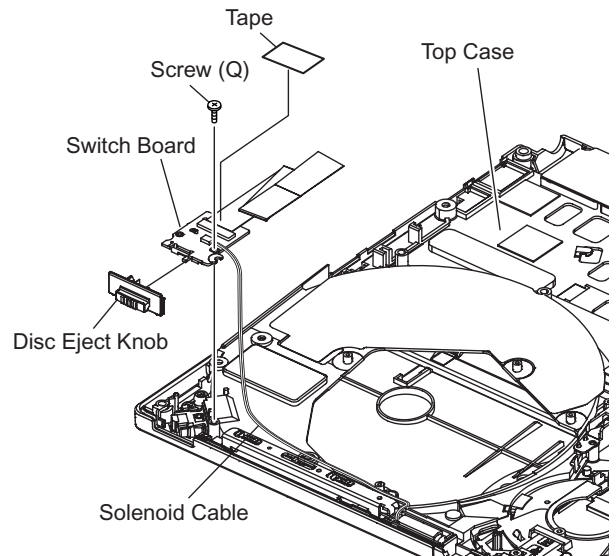
2. Remove the Solenoid Cable.

3. Remove the 1 Screw (Q) and then remove the SW Board.

Screw(Q):DXHM0057ZA

Note:

Note it that the Disc Eject Knob comes off at the same time.



2.2.6. Remove the Disc Cover

Preparation : perform the section 2.2.1. to 2.2.3. first.

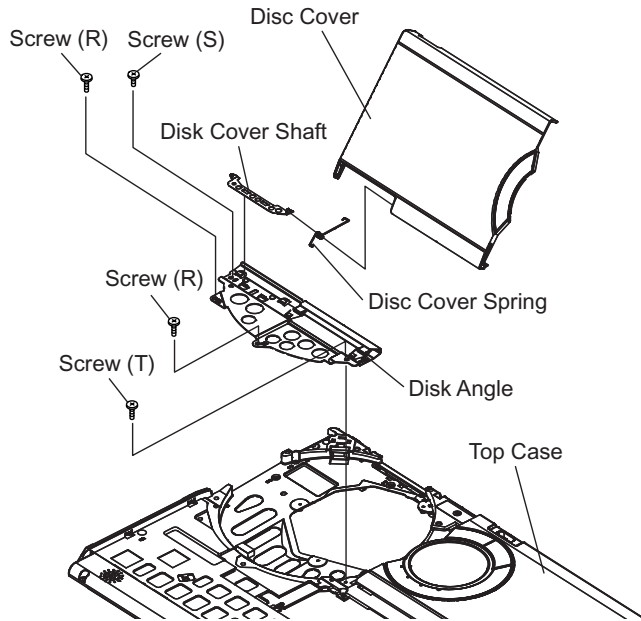
1. Remove the 2 Screw (R), 1 Screw (S) and 1 Screw (T) of the Disk Angle.

Screw(R):DXQT2+E12FNL(N11)

Screw(S):DXQT2+E6FNL(N13)

Screw(T):DXHM0057(N7)

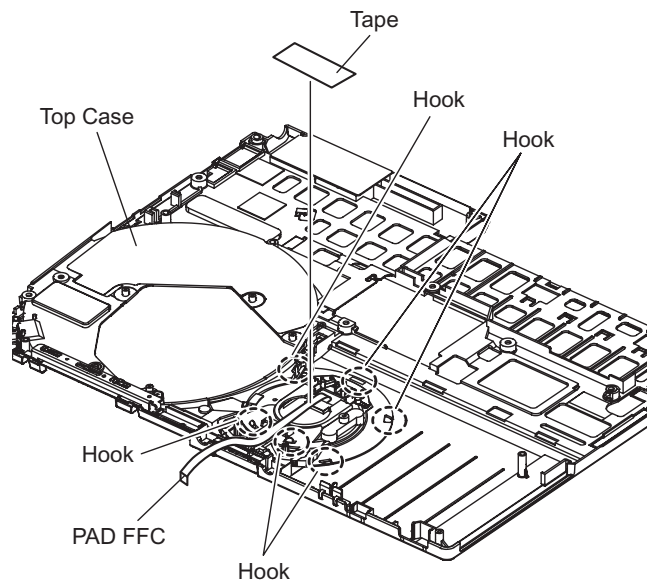
2. Slide the Disc Cover to the Disc Cover Shaft and remove the Cover.
3. The Disk Cover Shaft is pulled out while sliding and removed it from the Disk Angle in the direction of the Touch Pad.



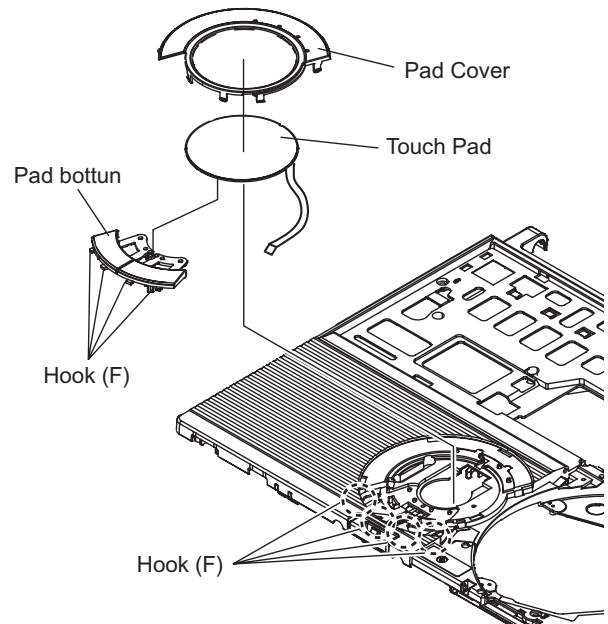
2.2.7. Remove the Touch Pad

Preparation : perform the section 2.2.1. to 2.2.3. first.

1. Peel off the Tape.
2. The 6 Hooks of the Pad Cover are depressed in the direction of the center of the Touch Pad by using the small screwdriver.



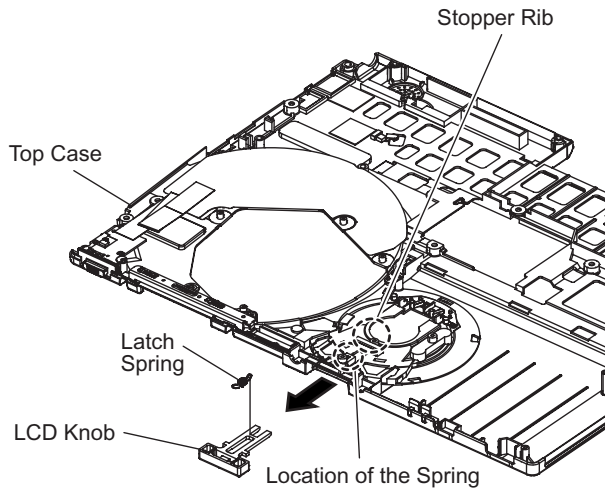
3. Remove the Hooks of the Touch Pad and the Pad Button, and remove the Touch Pad.



2.2.8. Remove the LCD Knob

Preparation : perform the section 2.2.1. to 2.2.3. first.

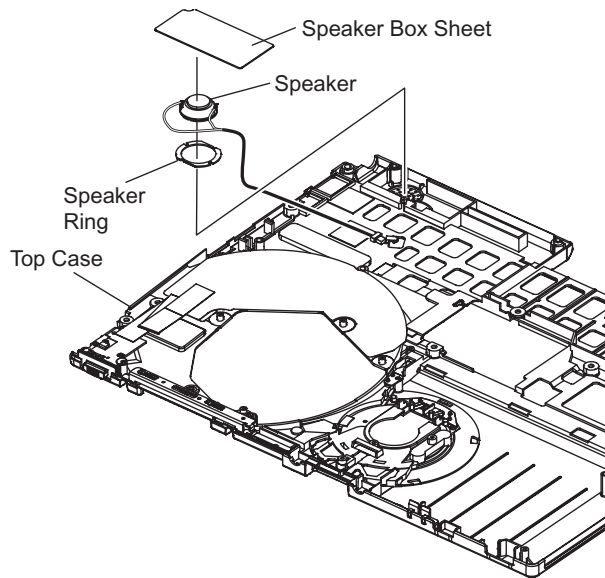
1. Remove the Spring from the Top Case.
2. Remove the Hook of LCD Knob from the Stopper Rib of the Top Case and then the LCD Knob is removed.



2.2.9. Remove the Speaker

Preparation : perform the section 2.2.1. to 2.2.3. first.

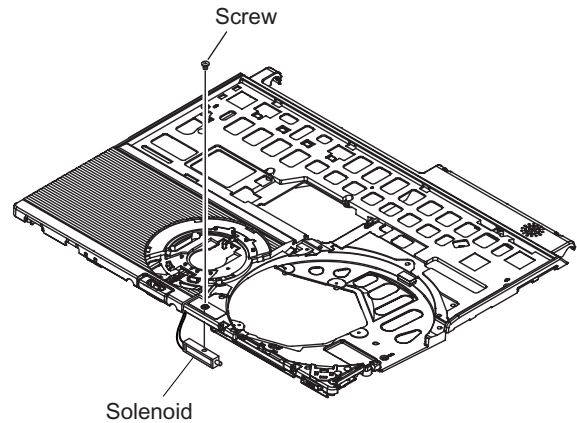
1. Peel off the Speaker Box Sheet.
2. Peel off the tape on the Speaker and Speaker Ring and then remove the Speaker.



2.2.10. Remove the Solenoid

Preparation : perform the section 2.2.1. to 2.2.3. first.

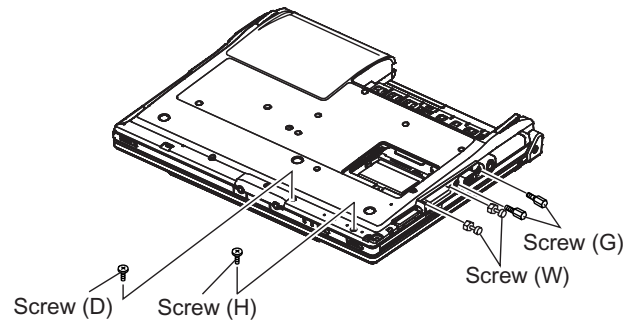
1. Remove the 1 Screw (Z) and then remove the Solenoid.
Screw(Z):DXQT2+F2FNL(N14)



2.2.11. Remove the Main Board

Preparation : perform the section 2.2.1. to 2.2.3. first.

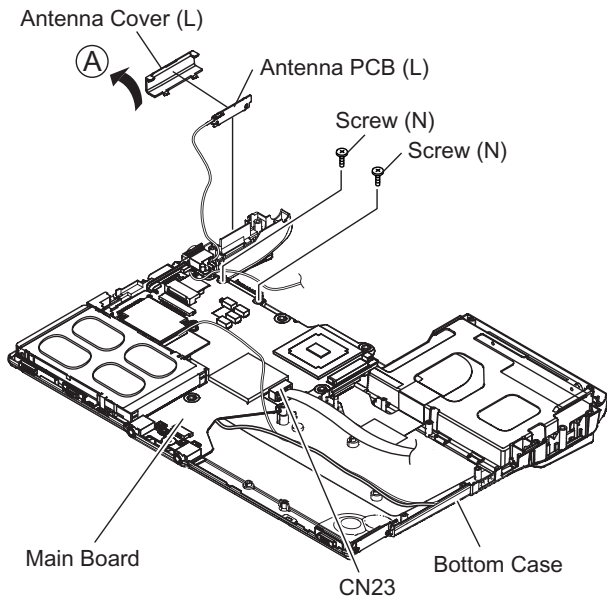
1. Remove the 1 Screw (D), (H) and 2 screws.
Screw(D):DXQT2+E10FNL(N10)
Screw(H):DXQT2+D4FNL(N9)
Screw(G):DFHE5035ZB(N2)
Screw(W):K1YE5000022(N500)



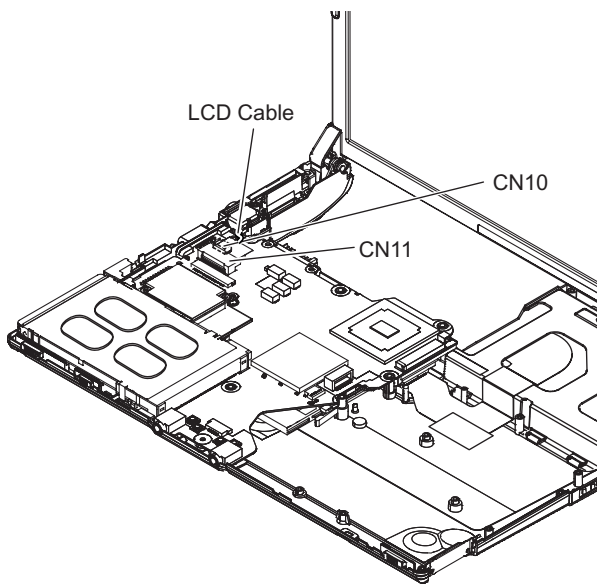
2. Remove the 2 Screws (N).
Screw(N):DXQT2+E6FNL(N13)
3. Remove the Connector (CN23)

4. The Antenna Cover (L) is inclined in the direction of arrow A and remove it.

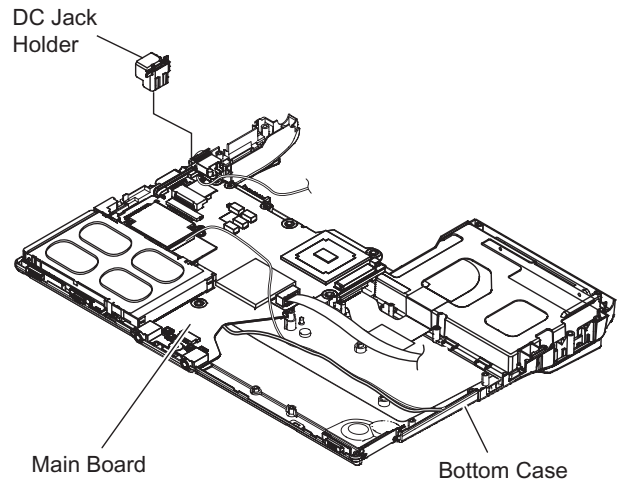
Remove the Antenna Cover (L) from the Top Case.



5. Remove the Connectors (CN10) and (CN11) of LCD Cable.



6. Remove the DC-IN Jack Holder.



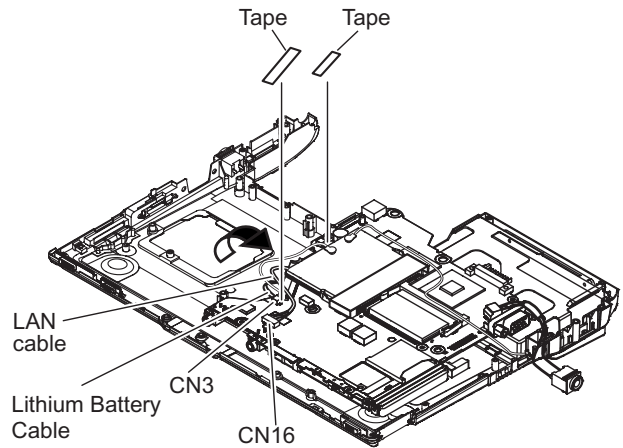
7. Returns the Main Board on the reverse.

Peel the Tape of the Drive FFC and remove the FFC.

8. Remove the Connector (CN3) and the Connector (CN16) of LAN Cable.

Peel off the Tape of HDD FFC and remove the FFC.

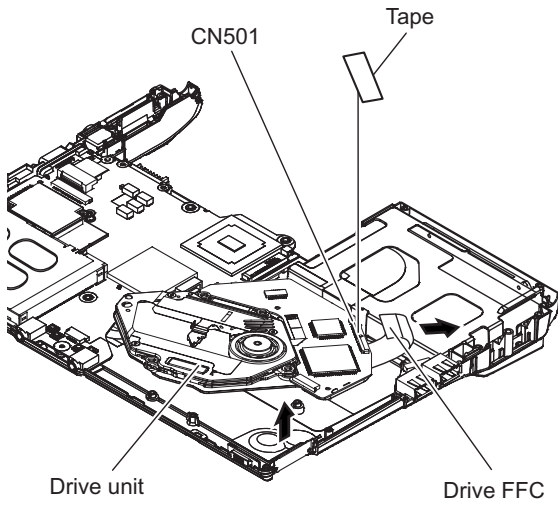
Remove the Main Board.



2.2.12. Remove the Drive Unit

Preparation : perform the section 2.2.1. to 2.2.3. first.

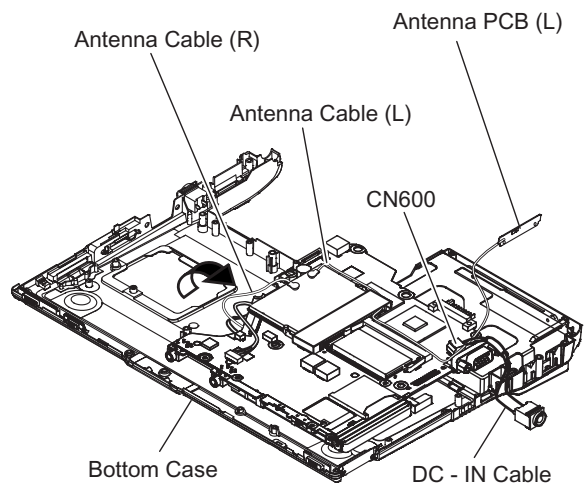
1. Peel off the Tape from the Connector.
2. Remove the Drive FFC from the Connector (CN501) and remove out the Drive Unit.



2.2.14. Remove the Antenna Board(L,R)

Preparation : perform the section 2.2.1. to 2.2.10. first.

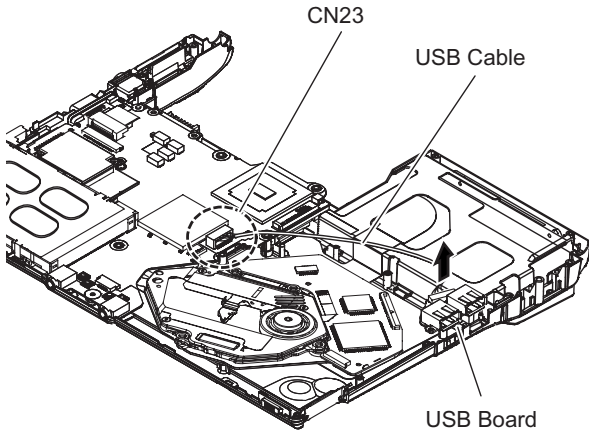
1. Remove the Antenna Cable (L, R) on the Wireless LAN Module and then remove the Antenna Board from the Bottom Case.
2. Remove the DC-IN Cable (CN600) from the Main Board.



2.2.13. Remove the USB Board

Preparation : perform the section 2.2.1. to 2.2.3. first.

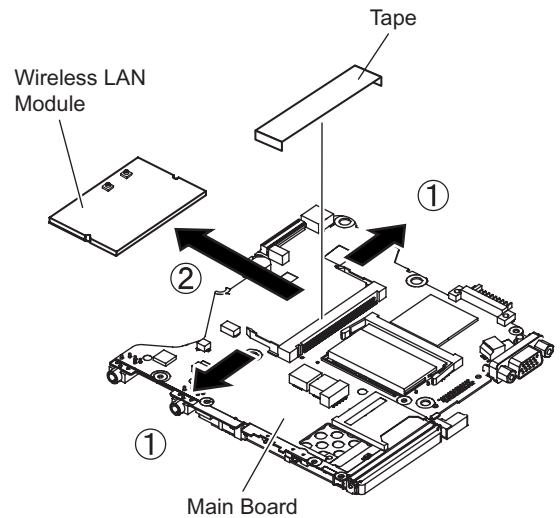
1. Remove the Connector (CN23) on the Main Board.
2. Remove the USB Board from the Bottom Case.



2.2.15. Remove the Wireless LAN Module

Preparation : perform the section 2.2.1. to 2.2.3. and 2.2.10. first.

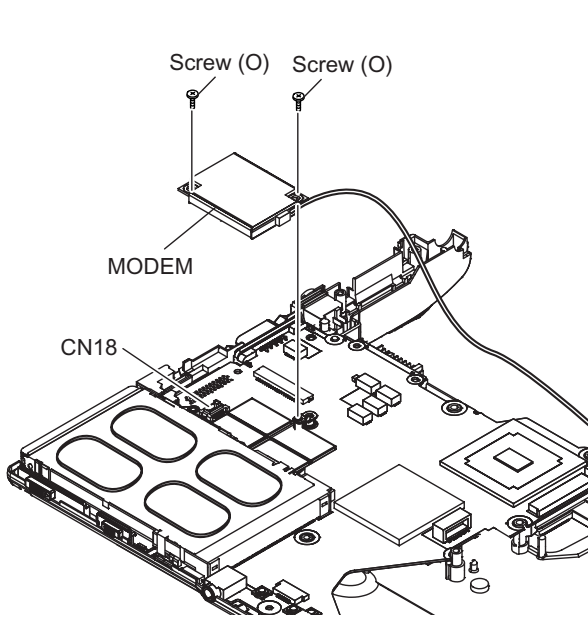
1. Peel off the Tape on the Wireless LAN Module.
2. Open the Wireless LAN Module maintenance arm and remove the Wireless LAN Module.



2.2.16. Remove the MODEM

Preparation : perform the section 2.2.1. to 2.2.3. and 2.2.10. first.

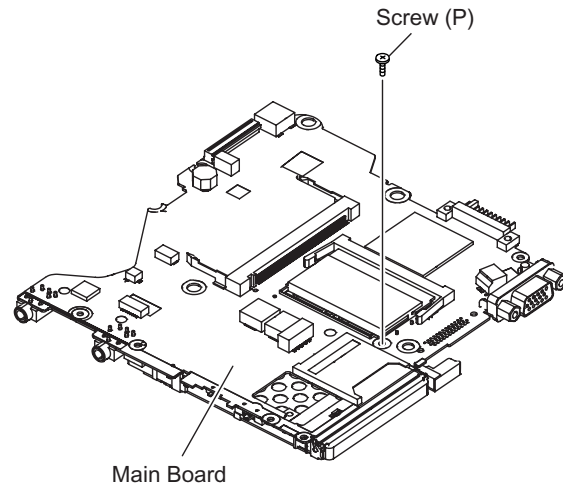
1. Remove the 2 Screws (O).
Screw(O):DXQT2+D25FNL(N8)
2. Remove the MODEM to the vertical direction from Connector (CN8) on the Main Board.



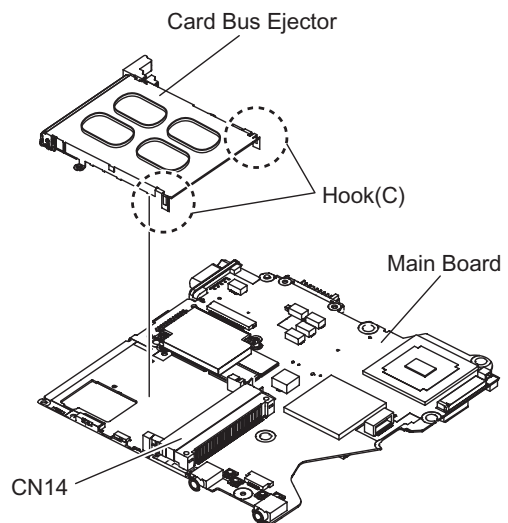
2.2.17. Remove the Card Bus Ejector

Preparation : perform the section 2.2.1. to 2.2.3. and 2.2.10. first.

1. Remove the 1 Screw (P) from connected side of Main Board.
Screw(P):DFHE5025XA(N1)



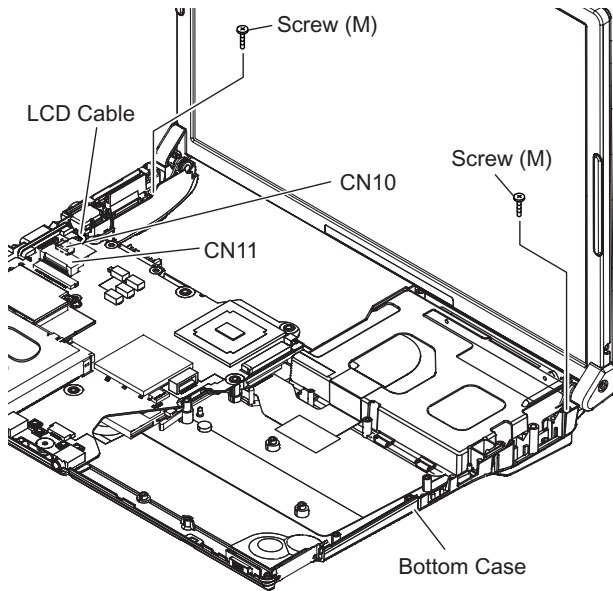
2. Return it on the revers to Card Bus Ejector side.
3. Remove the 2 hooks (C) of the Card Bus Ejector from the Connector (CN14) and the Card Bus Ejector is removed.



2.2.18. Remove the LCD Unit

Preparation : perform the section 2.2.1. to 2.2.3. first.

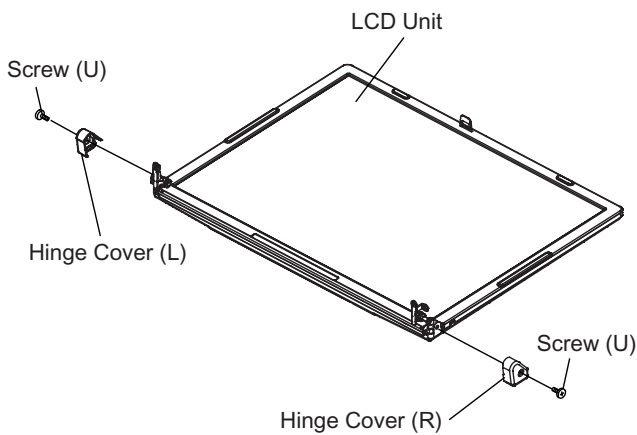
1. Remove the 2 Screws (M)
Screw(M):DXQT26+D5FNL(N15)
2. Remove the LCD Cable from the Connectors (CN10) and (CN11) on the Main Board and then remove the LCD Unit.



2.2.19. Remove the Hinge Cover

Preparation : perform the section 2.2.1. to 2.2.3. and 2.2.18. first.

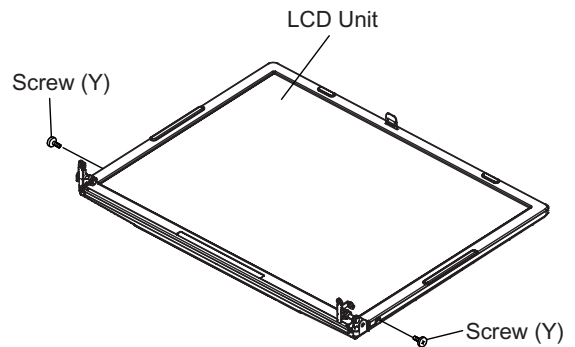
1. Remove the 2 Screws(U) and the Hinge Cover(L,R).
Screw(U):DRHM0074ZA(N3)



2.2.20. Remove the LCD Unit and the LCD Rear

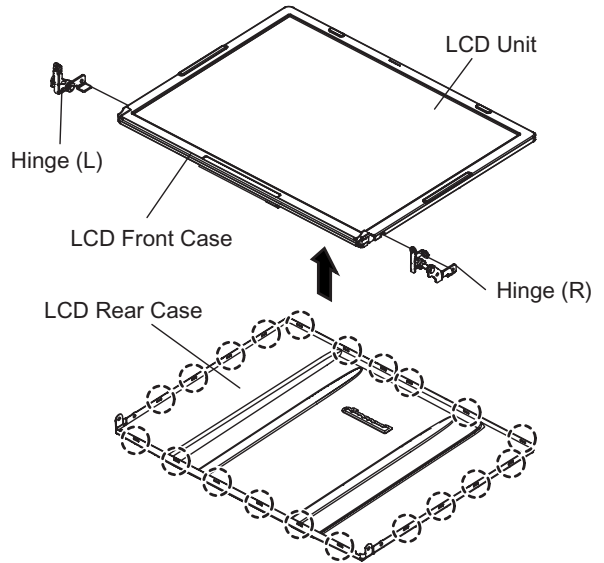
Preparation : perform the section 2.2.1. to 2.2.3. and 2.2.18. to 2.2.19. first.

1. Remove the 2 Screws (Y).
Screw(Y):DRHM0074ZA(N3)



2. The LCD Front Case and the combination parts of LCD Rear Case are separated.
(Combination parts are 6 the top and bottom places for each, 4 right and left places for each)
3. Remove the Hinge (L, R).

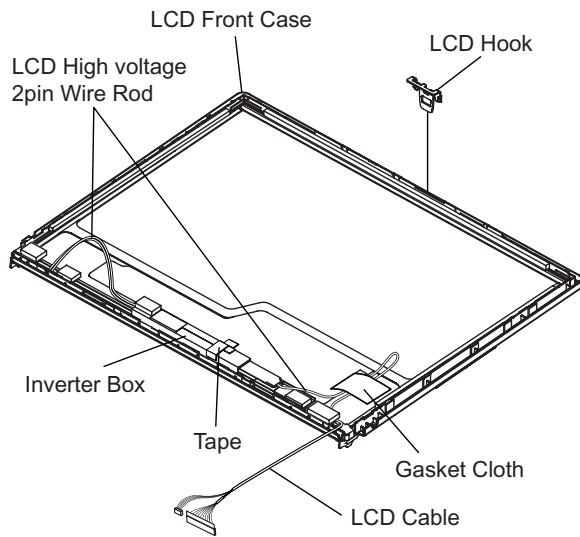
○ Hook Position



2.2.21. Remove the Inverter Board

Preparation : perform the section 2.2.1. to 2.2.4. and 2.2.17. to 2.2.19. first.

1. Remove the LCD Cable from the Inverter.
2. Peel off the Tape for fixation from Inverter Case.
3. Remove the Inverter with the Inverter Case.



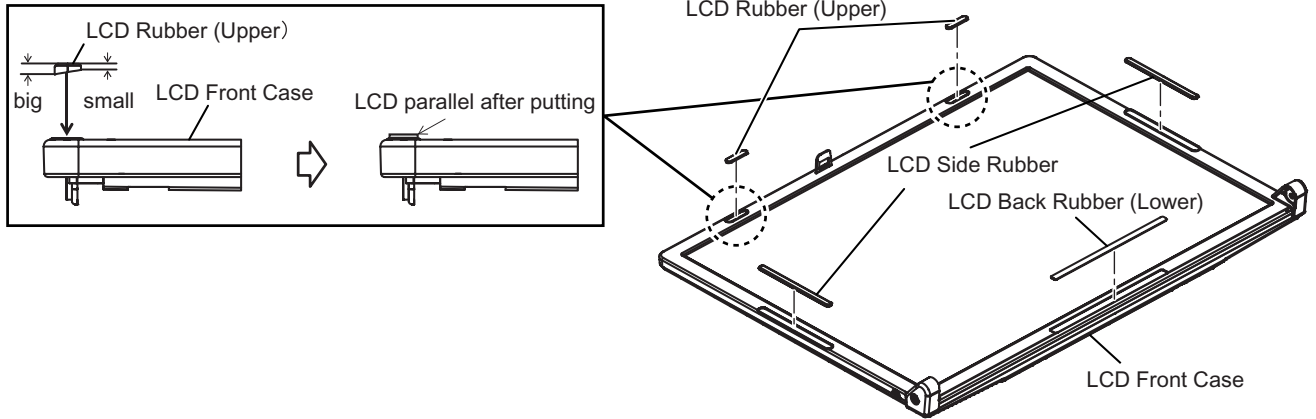
3 Reassembly instructions

3.1. Attention when CF-W4G series is repaired

- Please execute writing BIOS ID when you exchange the Main Board.
- Parts (Sheet and rubber) etc. related various the Conductive Cloth and Heat Spreader cannot be recycled. Use new parts.

3.2. Assembly knowhow of part LCD

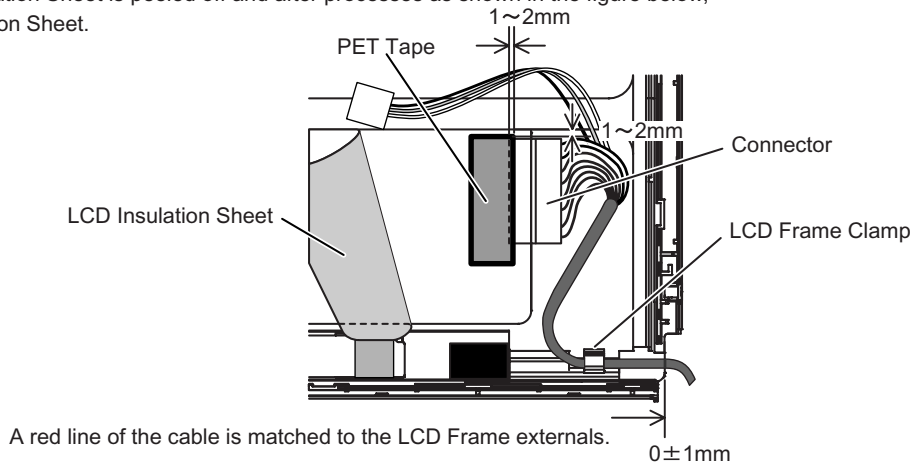
■ LCD Rubber, LCD side Rubber and LCD backing Rubber's putting



■ LCD Cable processing

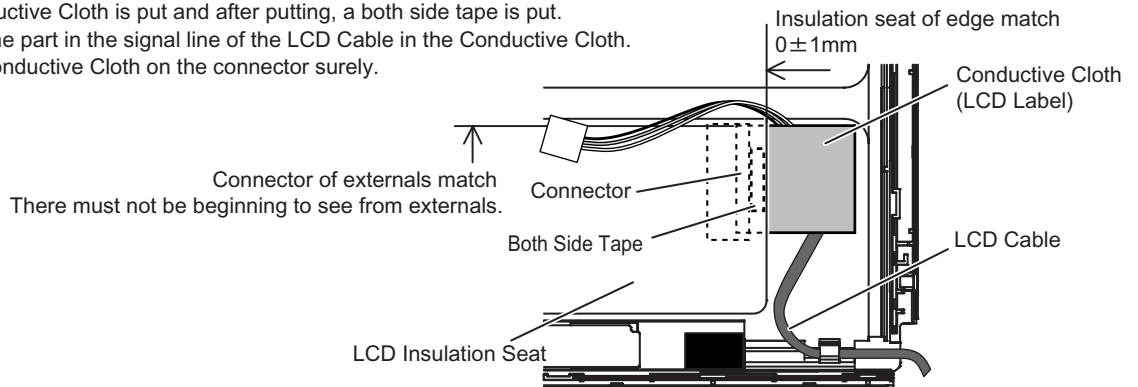
● Clamping processing of LCD Cable, LCD Connector connection and putting of PET Tape of cable

- The LCD Insulation Sheet is peeled off and after processes as shown in the figure below, Put the Insulation Sheet.



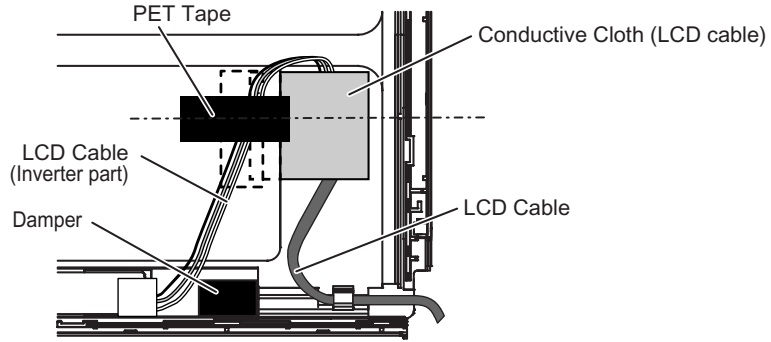
● Putting of The Conductive Cloth

- The Conductive Cloth is put and after putting, a both side tape is put.
- Process the part in the signal line of the LCD Cable in the Conductive Cloth.
- Put the Conductive Cloth on the connector surely.

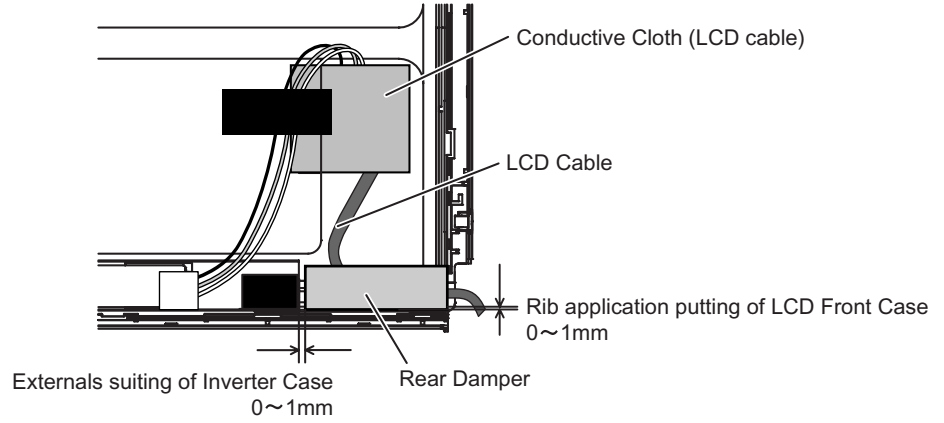


● Putting of PET Sheet

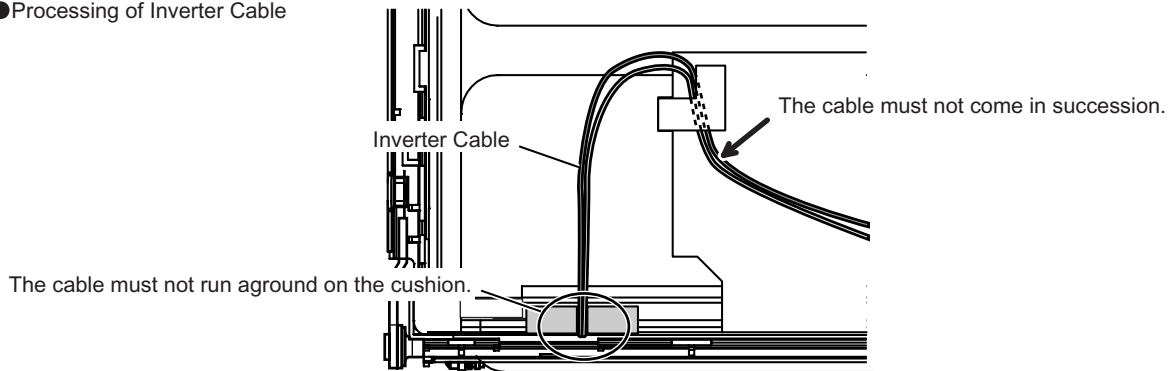
- The cable must not run aground on the damper.
- Along the LCD Module and put the LCD Cable (Inverter part) with the PET Tape.



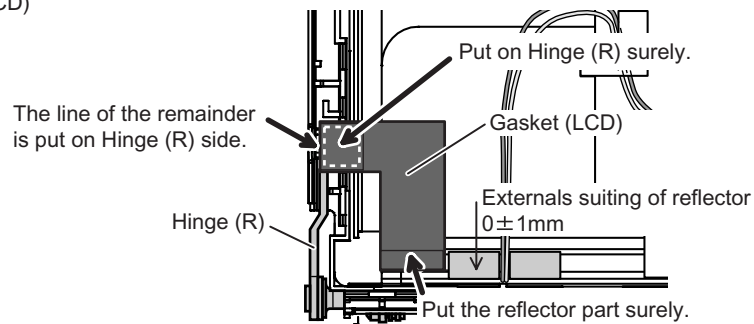
● Putting of Rear Damper



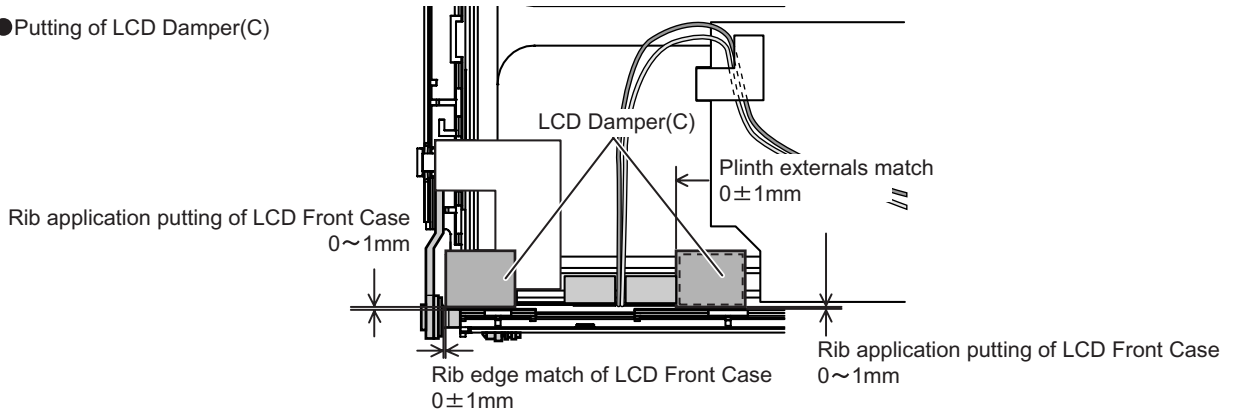
● Processing of Inverter Cable



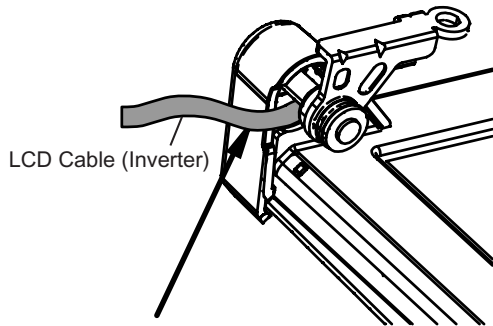
● Putting of Gasket (LCD)



●Putting of LCD Damper(C)



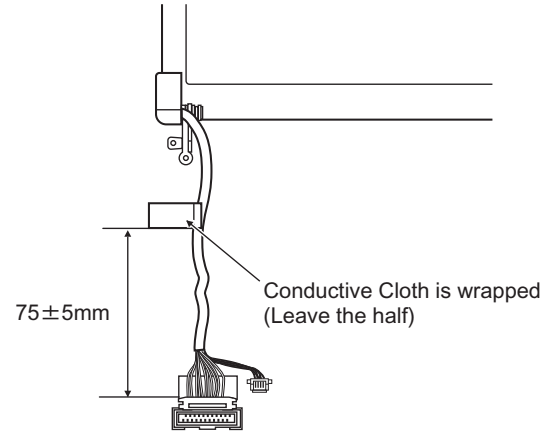
●Drawing out specification of LCD Cable



The Cable is processed under the shaft .

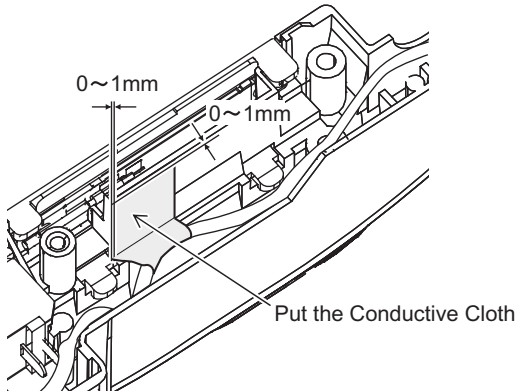
Note:It is confirmed that the cable does not narrow between cabinets.

●Putting of Conductive Cloth of LCD Cable



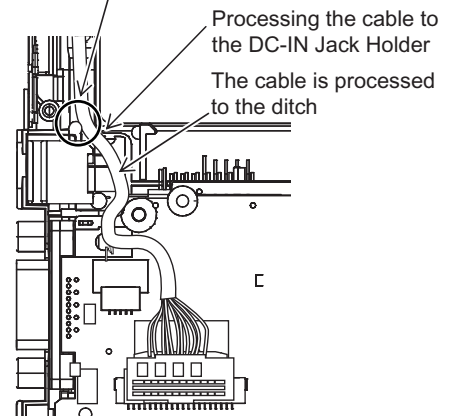
●LCD cable processing 1

Process the LCD Cable (2) such as DC-IN Jack Holders, after process the Conductive Cloth of the LCD cable puts as shown in the figure below.

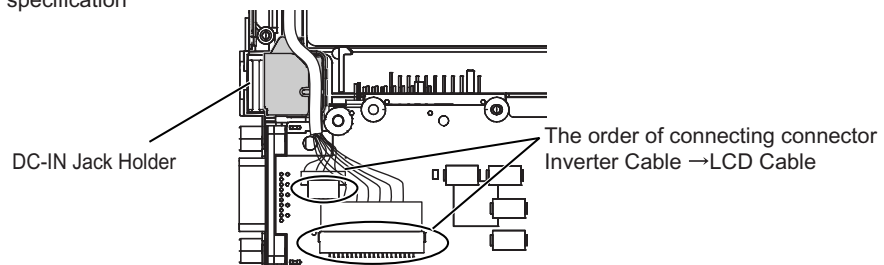


●LCD Cable processing 2

Processing cable to under point hanging part

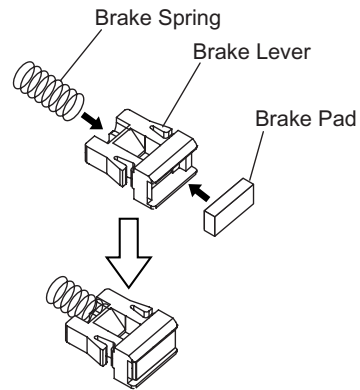


●Connector connection specification



3.3. Assembly of Brake Lever

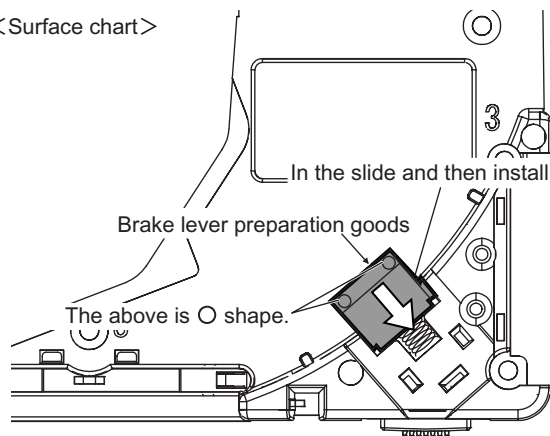
■ Brake Lever completion chart



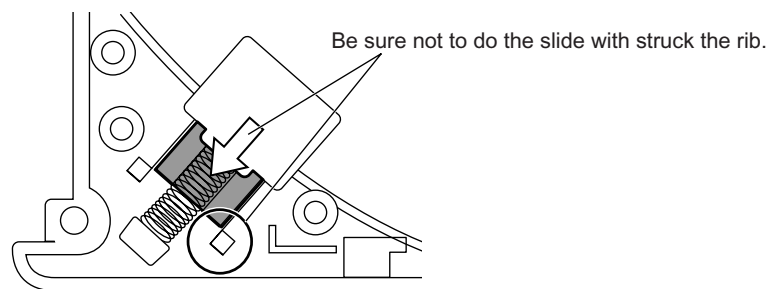
• Do not touch the bonding side when the brake pad is affixed.

■ Brake Lever built-in figure

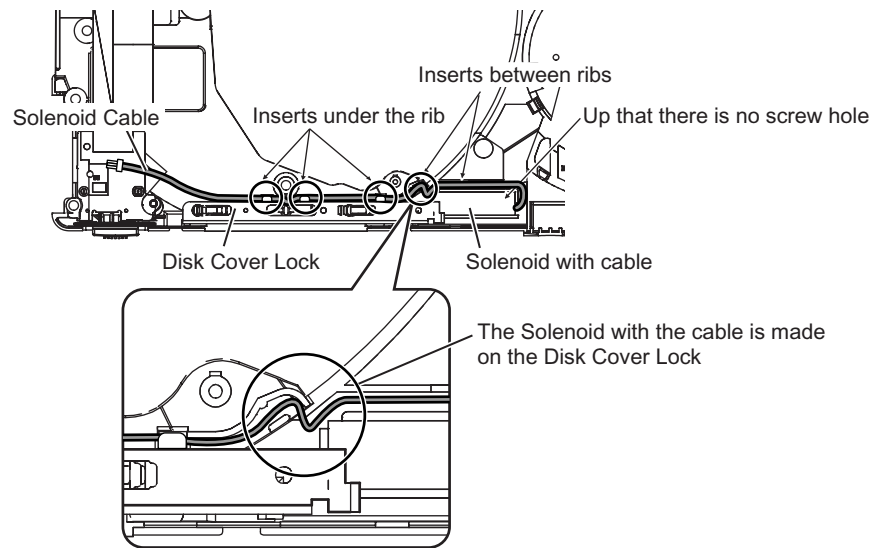
<Surface chart>



<The back chart>

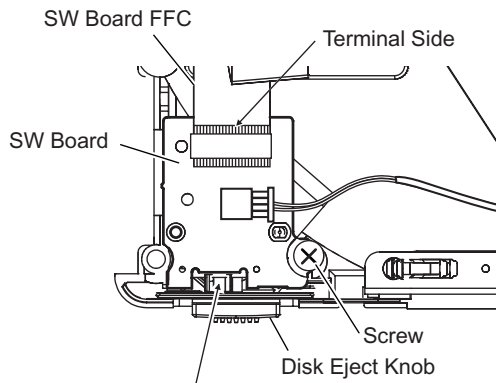


3.4. Solenoid Wire Rod processing



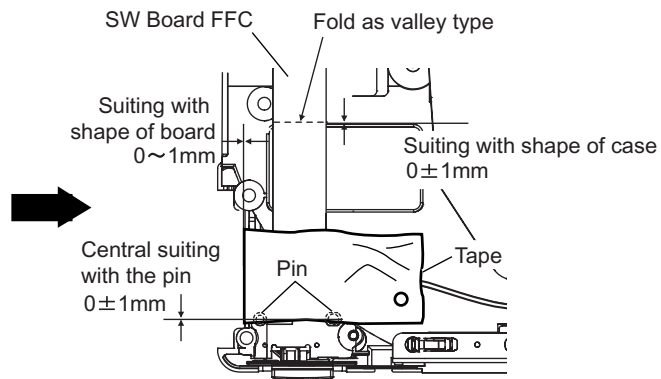
3.5. Switch Board assembly specification

■ Connection to SW Board



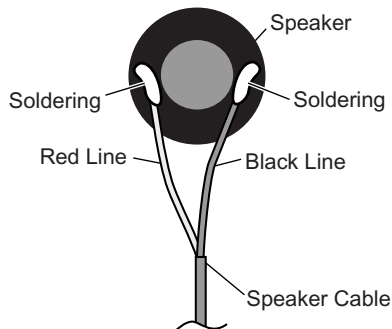
To confirm that the Lever of the switch has been surely inserted in the ditch of the knob

■ Affixation of PET Tape

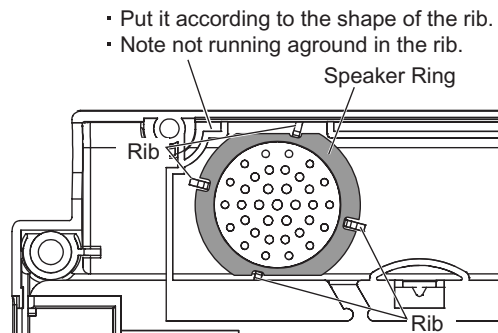


3.6. Speaker installation and Line processing

■ Soldering of Speaker Cable

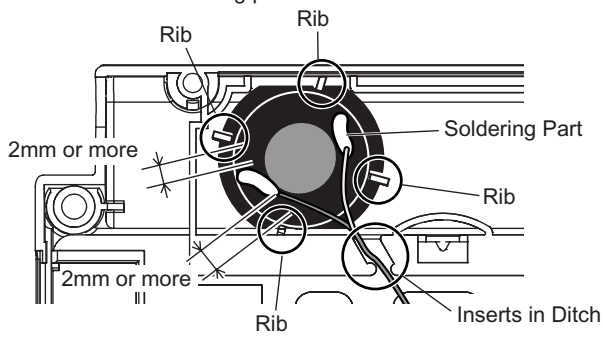


■ Affixation of Speaker Ring

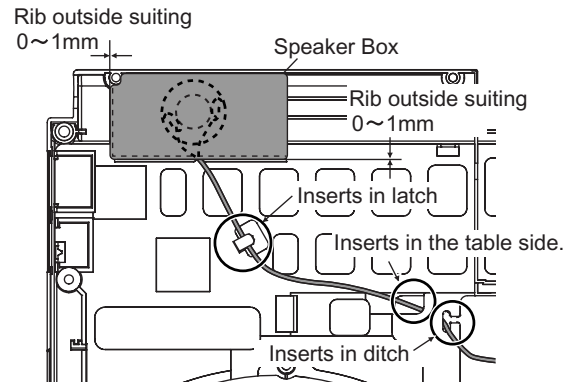


■ Speaker installation

- Secure 2mm or more for the space in each rib and the soldering part.



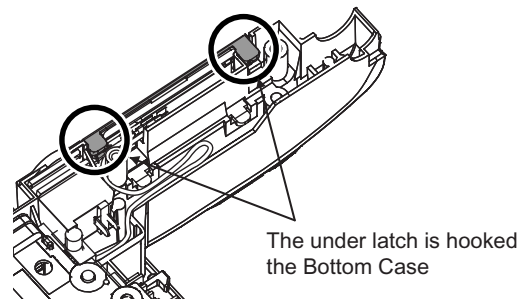
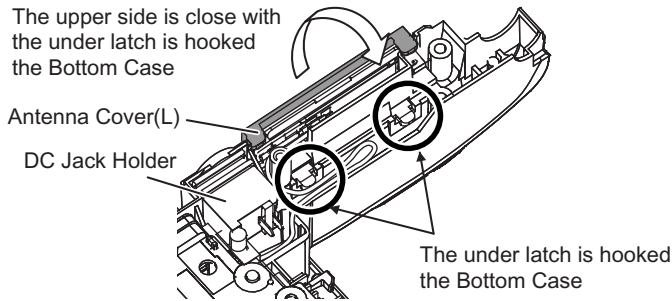
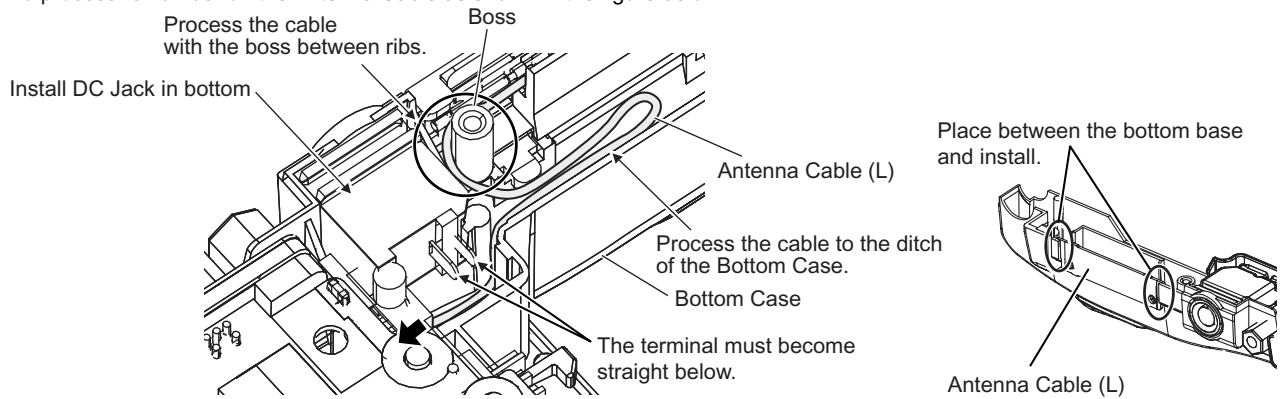
■ Processing of Speaker Cable



3.7. Assembly of Antenna Board Part

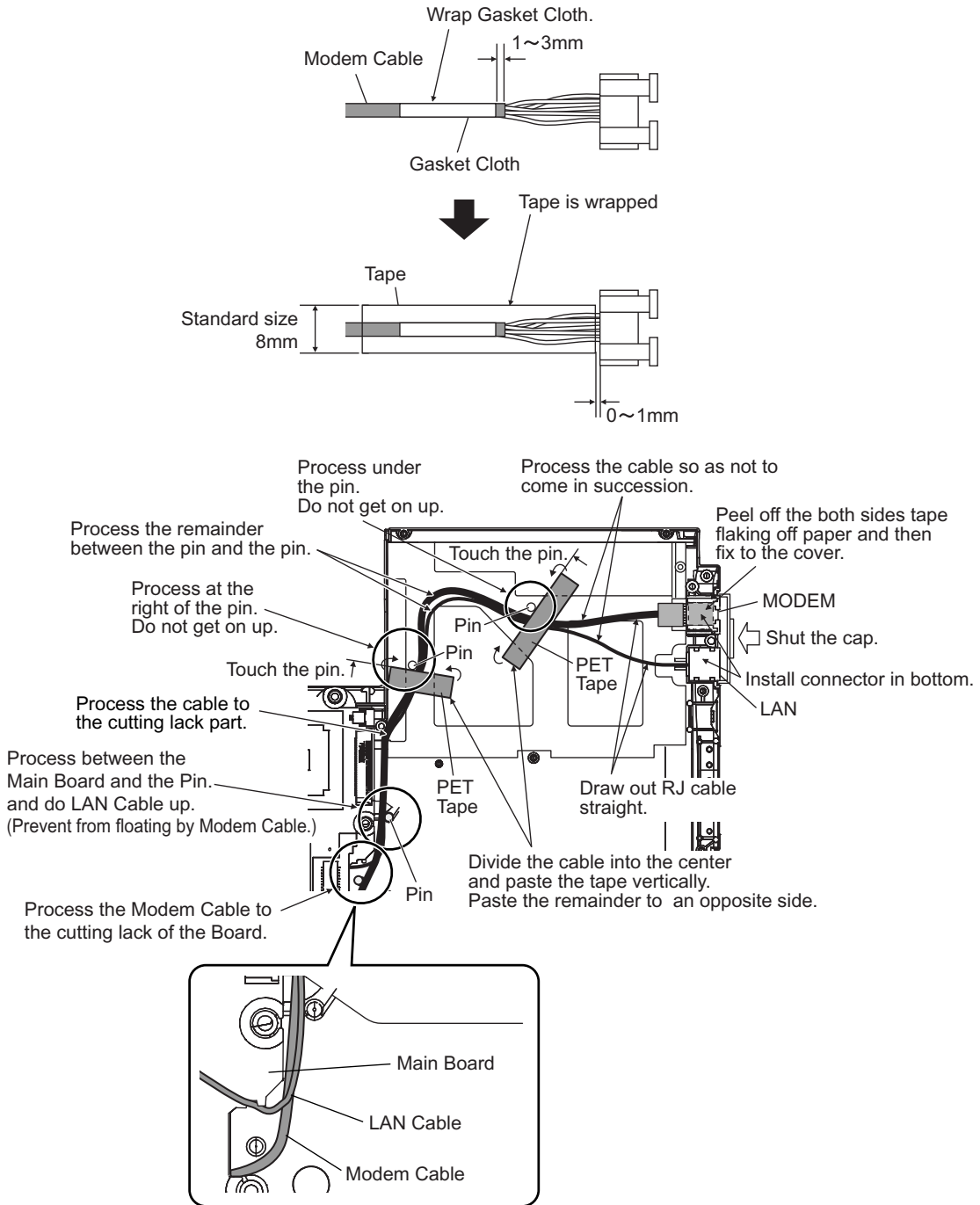
■ Line processing of Antenna Cable (L)

- Install the Antenna Board in the Bottom Case.
- And process remainder of the Antenna Cable as shown in the figure below.

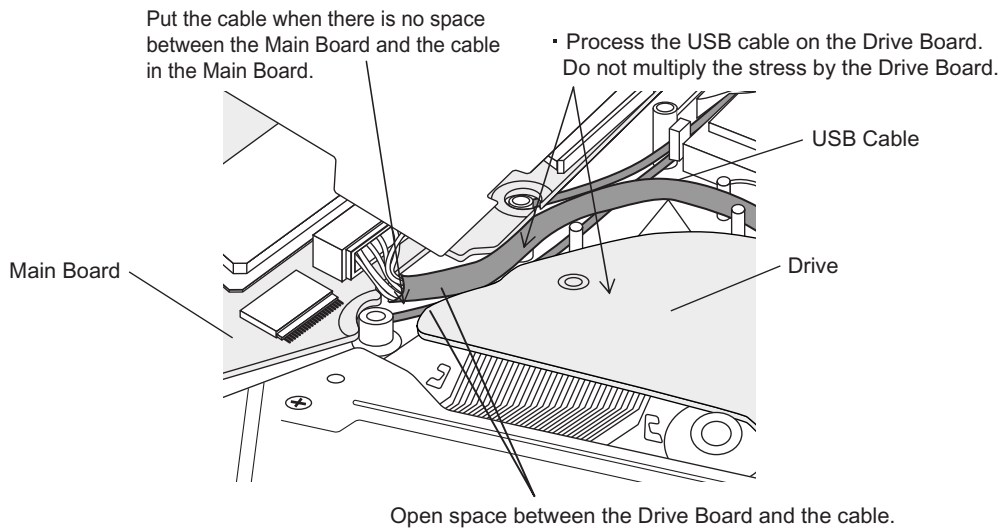
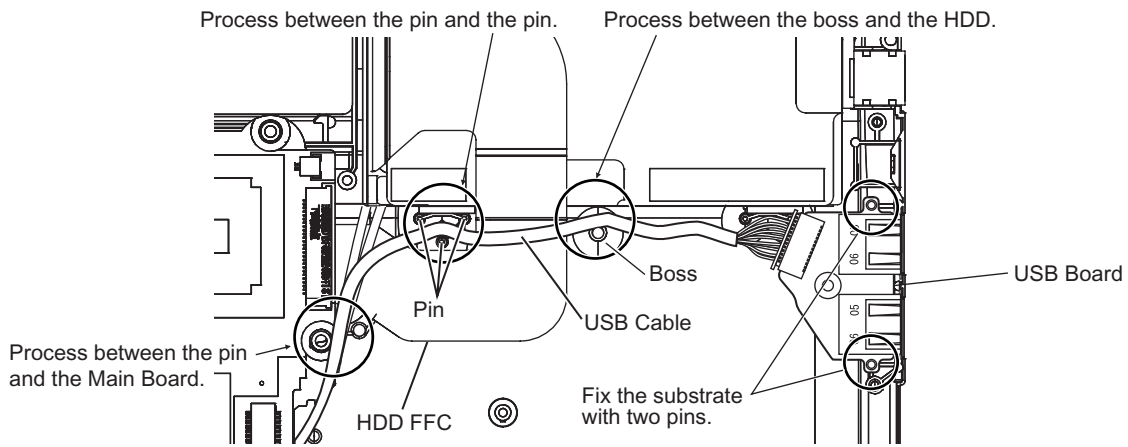


3.8. MODEM Cable, Rib and LAN Cable processing

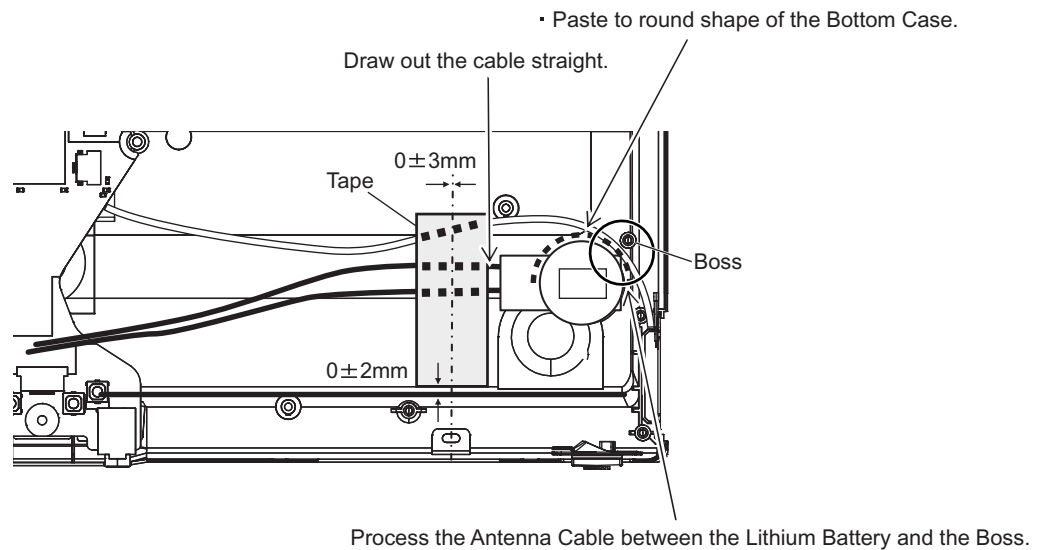
■ Conductive Cloth affixation of Modem Cable



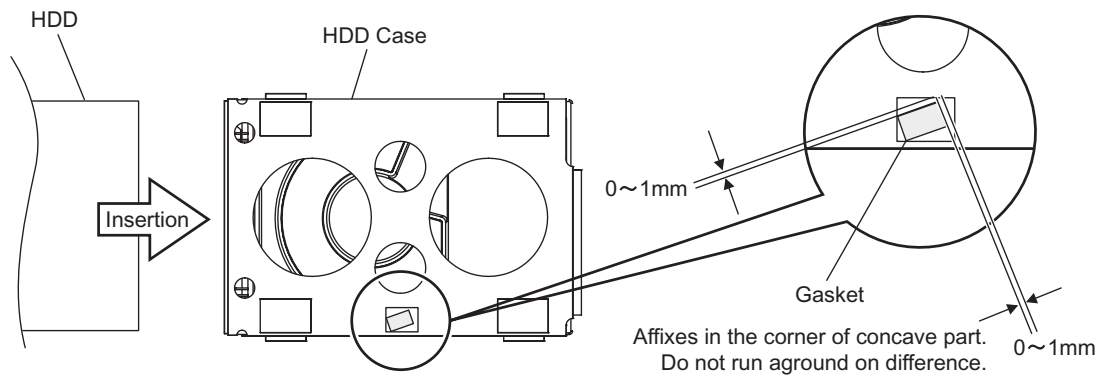
3.9. USB Cable processing



3.10. Wire Rod processing of Lithium Battery



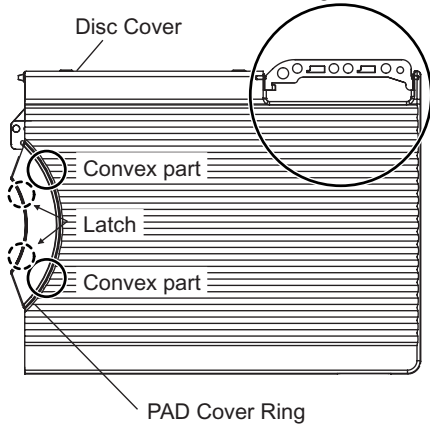
3.11. Affixation of HDD Gasket



3.12. Assembly of Disk Cover

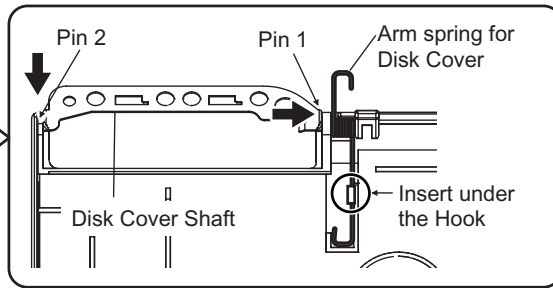
■ Assembly of Disk Cover

● Installation of PAD Cover Ring



- Insert two Convex parts in the hole of Disk Cover.
- Hang two latch on Disk Cover.

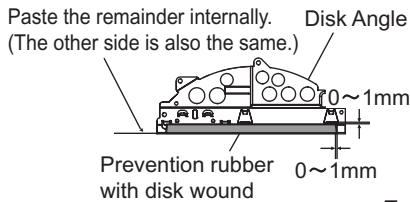
● Installation of Disk Cover Shaft



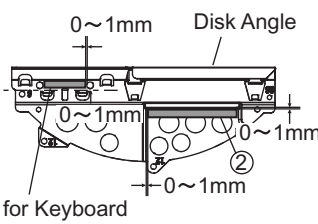
- Insert the Arm Spring for the Disk Cover in the Disk Cover.
- Insert pin 1 of the Disk Cover Shaft through the inside diameter of the Spring.
- Pin 2 of the Disk Cover Shaft must be slid, and insert in the hole of the Disk Cover.

■ Installation of various dampers on Disk Angle

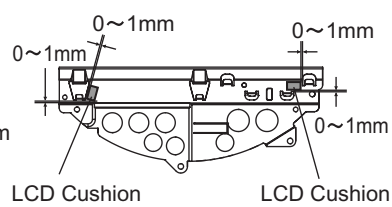
● Prevention rubber with disk wound is pasted.



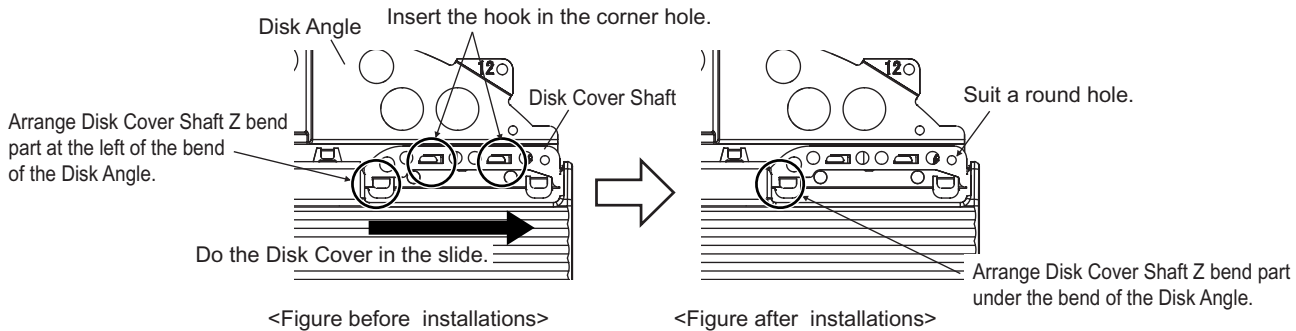
● Tape for Keyboard/Seat 2 is pasted.



● LCD Cushion is pasted.



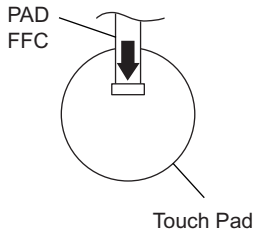
■ Installation of Disk Cover



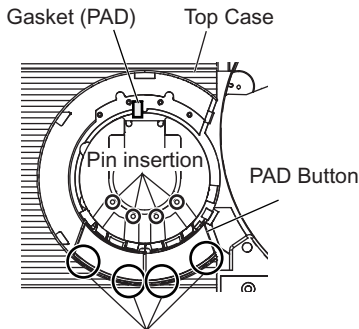
- Insert the latch of The Disk Angle in the corner hole of the Disk Cover Shaft and slide of the Disk Cover in the direction of the arrow.

3.13. Assembly of Touch Pad

■ Insertion of PAD FFC

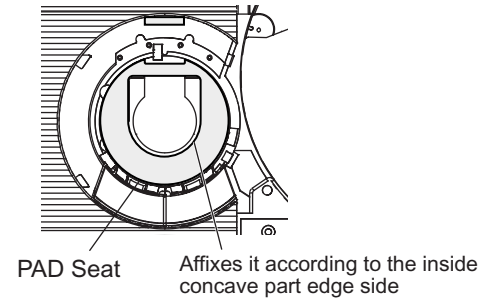


■ Installation of Pad Button



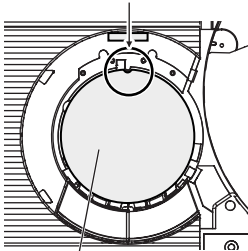
The Concave part is inserted in the hole of a Top Case

■ Affixation of PAD Sheet

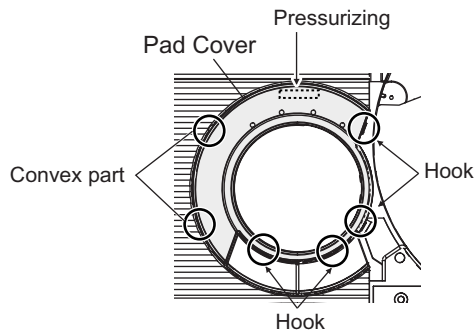


■ Affixation of Touch Pad

Affixes it according to the convex positioned part



■ Installation of Pad Cover



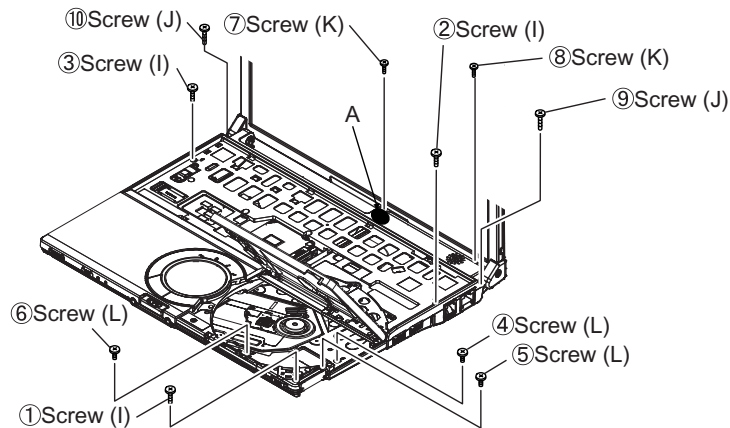
Insert two places in the convex part in the ditch of a Top Case and hang Hooks four places.

3.14. Screw tightening procedure of each unit

When serving, the screw tightening is executed according to the undermentioned procedure.

1. Screw tightening of Top Case

- 1-1. DXQT2+E6FNL(I:N13) is tightened. No.1 to No.3
- 1-2. DFHE5025XA(L:N1) is tightened. No.4 to No.6
- 1-3. DXQT2+E6FCL(LK:N12) is tightened. No.7, No.8
- 1-4. DXQT26+D8FCL(J:N16) is tightened. No.9, No.10

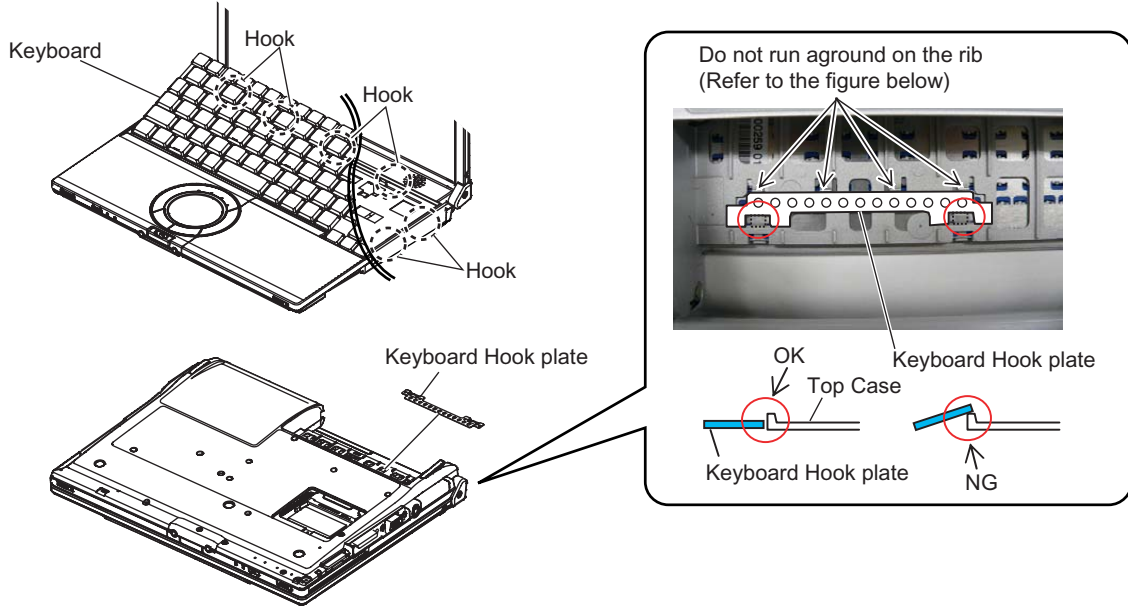


※ Conclude coloring part A pressing when you conclude ⑦Screw (K).

2. Installation of Keyboard

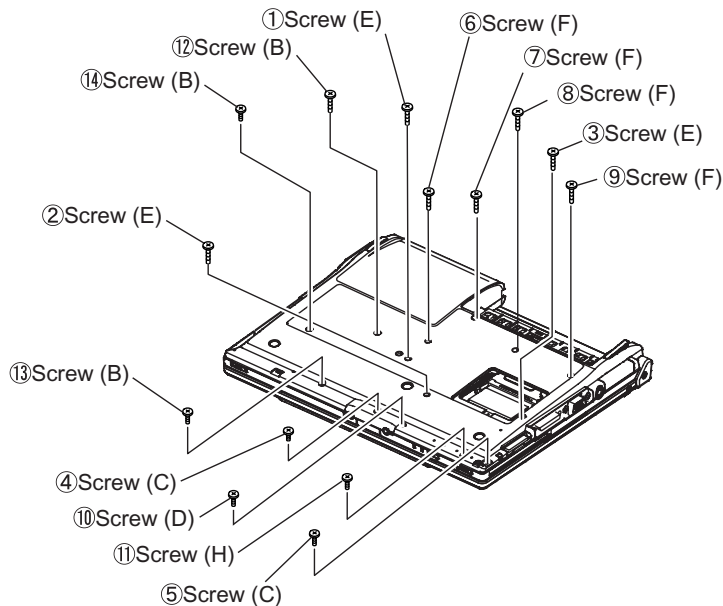
- 1.The Keyboard is surely installed in the Hook (2 places) at the right and the Hook (4 places) behind a Top Case .
 - 2.The Keyboard is held and the Keyboard Hook is inserted and locked.
- Note:Never touch the edge part of the Keyboard Hook by bare-handed.
- 3.It is confirmed that the Keyboard Hook do not run aground in the rib.

●Screw tightening of Keyboard

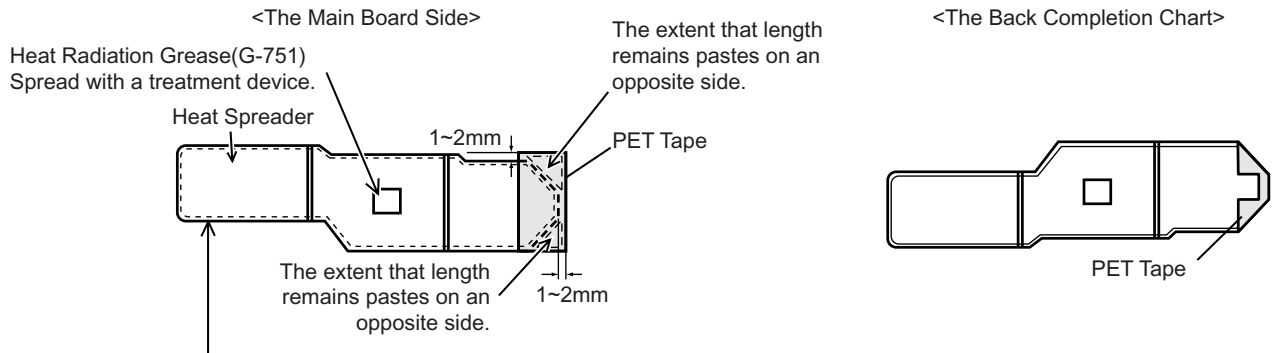


3. Screw tightening of Bottom Case

- 1.The screw tightening is done in the undermentioned order.
- 3-1. DXHM0039ZA(E:N6) is tightened.No.1 to No.3
 - 3-2. DXHM0057ZA(C:N7) is tightened. No.4,No.5
 - 3-3. DXQT2+E12FNL(F:N11) is tightened. No.6 to No.9
 - 3-4. DXQT2+E10FNL(D:N10) is tightened. No.10
 - 3-5. DXQT2+D4FNL(H:N9) is tightened. No.11
 - 3-6. DRHM0092ZA(B:N4) is tightened. No.12 to No.14

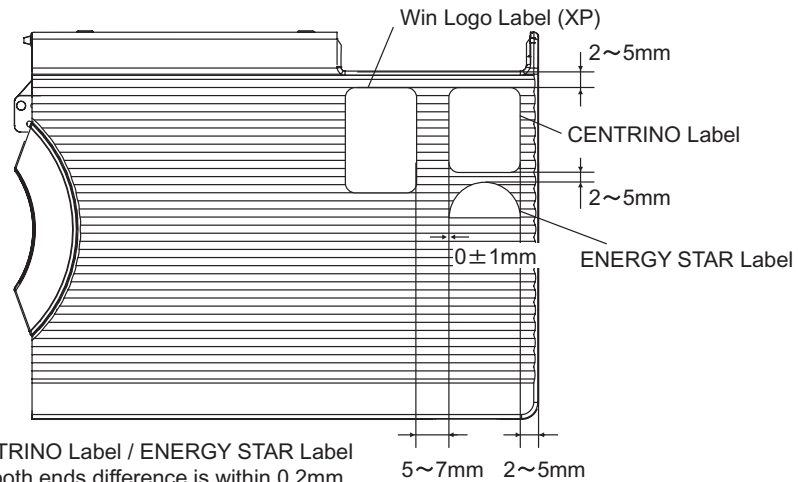


3.15. Specification of affixation of PET tape to Heat Spreader



- Never touch the aluminum edge part directly by bare-handed when the part of aluminum with a thin all surroundings bends. Correct in that case with a radio pincers etc. and instal.


3.16. Affixation of Win Logo Label (XP), CENTRINO Label and ENERTGY STAR Label









- In Win Logo Label / CENTRINO Label / ENERGY STAR Label Affixation inclination, the both ends difference is within 0.2mm.

Replacement Parts List

Note: Important Safety Notice

Components identified by  mark have special characteristics important for safety. When replacing any of these components, use only manufacturer's specified parts.

CF-W4GWCZZBM

REF.NO. and AREA	PART NO.	DESCRIPTION	Q'TY
Main Block Unit			
E1	 CR-2032/K5A	COIN BATTERY	1
E2	DFJK12U112BB	PAD FFC	1
E3	DFJK20T108BB	SW PCB FFC	1
E4	DFJK9000ZA	DRIVE FFC	1
E5	DFJS957ZA	LCD CABLE	1
E6	DFJS979ZA	LAN CABLE	1
E7	DFJS959ZB	MODEM CABLE	1
E8	DFJS960ZA	MAIN SUB CABLE	1
E9	DFJS961ZB	DC-IN CABLE	1
E10	DFJS962ZA	SP CABLE	1
E11	DL3U11436MAB	PCB, MAIN	RTL 1
E12	DL3U21436MAB	PCB, USB	RTL 1
E13	DL3UP1492KAA	PCB, SW	RTL 1
E14	N1ZYYY000002	ANTENNA PCB-L ASSY	1
E16	N1ZYYY000001	ANTENNA PCB-R ASSY	1
E18	N5HZC0000014	WIRELESS LAN MODULE	1
E19	UJDA769PD1-A	CD-R/RW, DVD-ROM DRIVE	1
E20	DL3UP1443AAA	FPC, HDD	1
E21	N3CABRD00011	HDD	1
E22	K1YYZZ000060	CONNECTOR	1
E23	L0AA01A00018	SPEAKER	1
E24	L5EDD3Q00023	LCD	1
E25	L9AAA5DB0010	SOLENOID	1
E26	 NOGB1J000012	INVERTER	1
E27	N2AZZJ000038	KEY BOARD US	1
E28	N2EAYYY00001	TOUCH PAD	1
E29	N5HAZ0000012	MODEM	1
Accessories			
A1	 CF-AA1623AM6	AC ADAPTOR	1
A2	 K2CG3DR00003	AC CABLE	1
A3	 N4HULTA00009	LITHIUM ION BATTERY PACK	1
A4	 DFQX5574ZA	MANUAL	1
A500	DFJS954ZA	MODEM CABLE	1
Packing Material			
P1	DFPE0806ZA	HOLDER	1
P2	DFPE0812ZA	PAD W	1
P3	DFPE0819ZA	BATTERY SPACER	1
P5	DFPK1037ZA	ACCESSORIES BOX	1
P6	DFPK1180YA	PACKING CASE (EXPORT)	1
P7	DFPN0827ZA	CUSHION T	2
P8	DFPN0828ZA	CUSHION B	2
Mechanical Parts			
K1	DFBC0314ZB-0	PAD BUTTON	1
K2	DFBD0180ZB-0	POWER KNOB	1
K3	DFBD0182ZA-0	LAN SW KNOB	1
K4	DFBD9006ZA-0	DISK EJECT KNOB ASSY	1
K5	DFBH3043ZA	HINGE-L USA	1
K6	DFBH3044ZA	HINGE-R USA	1
K7	DFBS0068ZC-0	LCD KNOB	1
K8	DFGB0089VB-0	PANASONIC LABEL	1
K9	DFGE0106ZB-0	PAD COVER	1

K10		DFGE0107ZB-0	PAD COVER RING	1
K11	△	DFGT1028ZA	BOTTOM SHEET USA	1
K12		DFGX0397ZA-0	LCD BATT RUBBER	1
K16		DFHE0215ZA	SHEET	1
K17		DFHE0416ZA	TAPE (KBD)	2
K18		DFHE0436ZA	CLOTH LCD CABLE 1	1
K19		DFHE0843ZA	LCD MAGNET	1
K20		DFHE0844ZA	GASKET PAD	1
K22		DFHE0943ZA	GASKET CLOTH (LCD CABLE)	1
K23		DFHE0945ZA	GASKET CLOTH (LCD)	1
K24		DFHE0953ZA	SHEET	1
K27		DFHE0957ZA	GASKET CLOTH	1
K29		DFHG1471YA	LCD METAL DAMPER B	1
K30		DFHG1546ZB-0	LCD RUBBER	2
K32		DFHG1744ZA	M-PCI CUSHION	1
K33		DFHG1766ZA-0	LCD SIDE RUBBER	2
K34		DFHG1767ZA-0	DC JACK HOLDER	1
K35		DFHG1768YA-0	DISK COVER CUSHION	4
K36		DFHG1771ZA	LCD DAMPER A	1
K37		DFHG1772ZA	LCD DAMPER B	2
K38		DFHG1773ZA	LCD DAMPER C	2
K39		DFHG1774ZA	LCD SIDE DAMPER	4
K40		DFHG1808ZA	HDD CASE ASSY W4 USA	1
K41		DFHG1778ZA	PCMCIA STOPPER CUSHION	1
K42		DFHG1779WA	LCD HOOK CUSHION	1
K43		DFHG1786ZA	CPU CUSHION	1
K44		DFHG1787ZA	MINI-PCI CUSHION	1
K45		DFHG1797ZA	REAR DAMPER	1
K46		DFHG1800ZA	BATT CUSHION(W4)	1
K49		DFHP7106YA	BOTH SIDES TAPE	2
K50		DFHP7221YA	PAD SHEET	1
K51		DFHP7208YA	LCD FRONT TAPE A	5
K52		DFHP7209ZA	LCD FRONT TAPE B	2
K53		DFHP7210ZA	LCD FRONT TAPE C	1
K59		DFHR3A37ZA	SPEAKER RING	1
K60		DFHR3A38ZA	SPEAKER BOX	1
K61		DFHR3A71YA	DISK EJECT KNOB SHEET	1
K63		DFHR3A78ZA	LCD INSULATOR	2
K64		DFHR3A95ZA	INVERTER TAPE	1
K69		DFHR3B19ZA	HINGE BACKUP SHEET T4	1
K74		DFHR3B53ZA	DISK KNOB SHEET	1
K76		DFHR6188ZA	DISK LOCK BUSH	2
K79		DFKE0772ZA-0	ANTENNA COVER-L	1
K80		DFKE0773ZA-0	ANTENNA COVER-R	1
K81		DFKE0774ZA-0	HINGE COVER L	1
K82		DFKE0775ZA-0	HINGE COVER R	1
K84		DFKE0815ZA-0	DIMM COVER LIGHT	1
K85		DFKF0255ZB-0	LCD FRONT	1
K86		DFKF8165ZA-0	BOTTOM CASE USA ASSY	1
K86-1		DFHG371ZA-1	FOOT RUBBER	3
K86-2		DFKL0026ZA-0	FOOT RUBBER BACK	2
K86-3		DFMX1174ZA	AUDIO JACK SHEET	1
K88		DFKM0482ZA-0	LCD REAR (SANKI)	1
K89		DFKM0483UA-0	DISK COVER (TOUGH COMBO)	1
K90		DFKM8170VA-0	TOP CASE ASSY	1
K91		DFKE0817ZA	DISK ANGLE MG	1
K92		DFMD1189XA	LCD HOOK	1
K93		DFMD1190YA	DISK COVER LOCK	1
K94		DFMD2165ZA	DISK CV SHAFT ANGLE	1
K96		DFMD3121ZA	MDC PLATE	1

K97	DFMD4057ZA	KB HOOK F999	1
K98	DFMX0635ZB	SHEET	1
K99	DFMX1155ZA	INVERTER BOX	1
K100	DFMX1156ZA	MAIN PW SHEET1	1
K101	DFMX1158ZA	DVD PWB SHEET	1
K102	DFMX1160ZA	PCMCIA-MAIN SHEET	1
K104	DFMX1184ZA	SW CABLE SHEET	1
K105	DFMY0399ZA	MCH RUBBER	1
K106	DFMY3191YA	HEAT SPREADER TOP	1
K107	DFMY3192ZA	HEAT SPREADER BOTTOM	1
K108	DFMY3206ZA	MEMORY SHEET TOP	1
K109	DFMY3207ZA	MEMORY SHEET BOTTOM	1
K110	DFMY3208ZA	WLAN SHEET	1
K111	DFQT9950ZA	WINDOWS XP LABEL (FOR NOTE)	1
K112	DFQT9948ZA	CENTRINO LABEL	1
K113	DFUD0037ZA	DISK KNOB SPRING	1
K114	DFUN0078ZB	DISK COVER ARM SPRING	1
K115	JDBC0044ZA	BREAK SPRING	1
K116	JDBG0032ZA	BREAK PAD	1
K117	JDKJ0059ZA	BREAK LEVER	1
K119	DFHP7180ZA	LCD TAPE E	1
K123	DFUD0040ZA	LATCH SPRING	1
K500	DFHR3C40ZA	DISK COVER SHEET	1
K501	DFHR3C14ZA	LCD KNOB SPACER	2
K502	DFHR3C36ZA	DISK ANGLE SHEET A	1
K503	DFHR3C37ZA	DISK ANGLE SHEET B	1
K504	DFHR3C38ZA	DISK ANGLE SHEET C	1
K505	DFMD7A63ZA	DISK ANGLE FPC COVER	1
K506	DFHG1833ZA	DISK ANGLE CUSHION	3
K507	DFHP7226ZA	KB FPC TAPE	1
K508	DFHR3C39ZA	KB SHEET	1
K509	DFHR3C33ZA	LCD CABLE FIX SHEET	1
K510	DFHR3B86ZA	DVD HEAT INSULATION PACK	1
K511	DFQT9675ZA	ENERGY STAR LABEL	1
K512	DFKE0781ZA-0	RJ DUST COVER	1
K513	DFHP7228ZA	RJ DUST COVER FIX TAPE	1
K514	DFHG1835ZA	HDD DAMPER	1
K515	DFHR3C13ZA	RJ CABLE SHEET	4
K516	DFHR3C19ZA	HDD FPC EDGE SHEET	1
K517	DFHR3C24ZA	USB CABLE FIX SHEET	1
K518	DFKE0770ZA-0	HDD COVER	1
K519	DFHG1834ZA	SP CABLE FIX CUSHION	1
K520	DFHP7231ZA	KBD TAPE	1
K521	DFHR3B99ZA	RJ CABLE BLIND SHEET	1
K522	DFHR3C12ZA	SP CABLE SHEET	1
K523	DFHR3C18ZA	KB EDGE SHEET	2
K524	DFHR3C54ZA	HINGE BACKUP SHEET	1
K525	DFMY0421ZA	HEAT SHEET KB LARGE	1
N1	DFHE5025XA	SCREW	6
N2	DFHE5035ZB	SCREW	2
N3	DRHM0074ZA	SCREW	4
N4	DRHM0092ZA	SCREW	3
N5	DRQT2+G6FKL	SCREW	1
N6	DXHM0039ZA	SCREW	3
N7	DXHM0057ZA	SCREW	4
N8	DXQT2+D25FNL	SCREW	6
N9	DXQT2+D4FNL	SCREW	1
N10	DXQT2+E10FNL	SCREW	1
N11	DXQT2+E12FNL	SCREW	6
N12	DXQT2+E6FCL	SCREW	2

N13	DXQT2+E6FNL	SCREW	6
N14	DXQT2+F2FNL	SCREW	1
N15	DXQT26+D5FNL	SCREW	2
N16	DXQT26+D8FCL	SCREW	2
N17	XSB2+4FNL	SCREW	1
N500	K1YE5000022	SCREW, I/O PIN	2

Replacement Parts List

Note: Important Safety Notice

Components identified by Δ mark have special characteristics important for safety.
When replacing any of these components use only manufacturer's specified parts.

CF-W4GWCZZBM

REF. NO and AREA	PART NO.	DESCRIPTION	Q'TY
MAIN PCB			
C 2	F1J0J106A024	CAPACITOR, 6.3V, 10 μ F	40
C 3			
C 4			
C 6			
C 7			
C 8			
C 11			
C 12			
C 13			
C 15			
C 16			
C 17			
C 19			
C 20			
C 21			
C 23			
C 24			
C 25			
C 26			
C 29			
C 30			
C 31			
C 32			
C 34			
C 35			
C 36			
C 37			
C 40			
C 41			
C 42			
C 43			
C 45			
C 46			
C 47			
C 48			
C 63			
C 66			
C 67			
C 100			
C 103			
C 5	EEFCD0D151ER	CAPACITOR, 2V, 150 μ F	2

C 688			
C 9	F1G1C104A042	CAPACITOR, 16V, 0.1μF	169
C 10			
C 14			
C 18			
C 22			
C 27			
C 33			
C 38			
C 39			
C 44			
C 60			
C 61			
C 69			
C 71			
C 72			
C 73			
C 78			
C 79			
C 80			
C 82			
C 83			
C 86			
C 91			
C 92			
C 101			
C 104			
C 110			
C 113			
C 115			
C 116			
C 119			
C 120			
C 121			
C 122			
C 125			
C 126			
C 127			
C 128			
C 131			
C 132			
C 134			
C 135			
C 138			
C 139			
C 142			
C 143			
C 144			
C 152			
C 153			

C 154
C 155
C 161
C 162
C 163
C 164
C 165
C 166
C 167
C 171
C 187
C 194
C 195
C 196
C 197
C 200
C 202
C 203
C 206
C 207
C 210
C 211
C 213
C 214
C 215
C 217
C 220
C 221
C 222
C 223
C 228
C 229
C 230
C 231
C 232
C 233
C 234
C 235
C 236
C 237
C 239
C 241
C 242
C 246
C 247
C 249
C 250
C 253
C 257
C 258

C 270
C 278
C 279
C 280
C 281
C 283
C 284
C 293
C 304
C 307
C 308
C 309
C 311
C 313
C 314
C 315
C 316
C 317
C 318
C 319
C 323
C 328
C 329
C 331
C 332
C 333
C 334
C 336
C 337
C 338
C 339
C 341
C 342
C 343
C 344
C 345
C 346
C 349
C 350
C 364
C 367
C 368
C 388
C 391
C 392
C 394
C 399
C 401
C 402
C 403

C 408			
C 409			
C 412			
C 413			
C 417			
C 429			
C 430			
C 431			
C 432			
C 434			
C 435			
C 442			
C 443			
C 444			
C 446			
C 605			
C 609			
C 625			
C 631			
C 702			
C 49	F1J0J1060004	CAPACITOR, 6.3V, 10 μ F	25
C 54			
C 74			
C 81			
C 89			
C 90			
C 102			
C 106			
C 107			
C 111			
C 169			
C 174			
C 180			
C 181			
C 184			
C 291			
C 292			
C 352			
C 353			
C 354			
C 355			
C 356			
C 404			
C 433			
C 723			
C 50	F1G1E103A062	CAPACITOR, 25V, 0.01 μ F	28
C 170			
C 172			
C 173			
C 175			

C 178			
C 179			
C 182			
C 183			
C 201			
C 219			
C 238			
C 262			
C 264			
C 266			
C 296			
C 305			
C 327			
C 369			
C 376			
C 378			
C 385			
C 415			
C 416			
C 601			
C 678			
C 729			
C 730			
C 55	F1G1H222A450	CAPACITOR, 50V, 2200pF	1
C 56	F1G1A104A014	CAPACITOR, 10V, 0.1μF	3
C 57			
C 191			
C 70	F1H0J1050022	CAPACITOR, 6.3V, 1μF	6
C 88			
C 112			
C 145			
C 168			
C 185			
C 75	F1G1H102A450	CAPACITOR, 50V, 1000pF	33
C 255			
C 256			
C 290			
C 297			
C 298			
C 325			
C 326			
C 359			
C 365			
C 366			
C 387			
C 389			
C 390			
C 395			
C 396			
C 397			

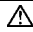
C 407 C 414 C 418 C 419 C 420 C 421 C 422 C 423 C 616 C 621 C 632 C 633 C 659 C 667 C 679 C 690			
C 76 C 77 C 84 C 85	EEFUD0D331ER	CAPACITOR, 2V, 330µF	4
C 87 C 648 C 649 C 650	EEFSX0D271ER	CAPACITOR, 2V, 270µF	4
C 93 C 94 C 95 C 97 C 98 C 99 C 254	F1G1A474A018	CAPACITOR, 10V, 0.47µF	7
C 96 C 109 C 300 C 301 C 360	F1G0J224A001	CAPACITOR, 6.3V, 0.22µF	5
C 105 C 652 C 686 C 696	EEFCD0D101ER	CAPACITOR, 2V, 100µF	4
C 108 C 212 C 218	EEFUD0E221ER	CAPACITOR, 2.5V, 220µF	3
C 114 C 117 C 118 C 123 C 124 C 129 C 130	DCUM1A1051BD	CAPACITOR, 10V, 1µF	26

C 133			
C 136			
C 137			
C 156			
C 157			
C 158			
C 159			
C 192			
C 198			
C 199			
C 204			
C 248			
C 310			
C 400			
C 427			
C 606			
C 635			
C 703			
C 706			
C 140	F1G1H3R3A475	CAPACITOR, 50V, 3.3pF	2
C 141			
C 147	F1G1H101A451	CAPACITOR, 50V, 100pF	10
C 294			
C 295			
C 299			
C 393			
C 607			
C 636			
C 637			
C 638			
C 680			
C 176	F1G1H220A451	CAPACITOR, 50V, 22pF	8
C 177			
C 611			
C 647			
C 660			
C 664			
C 683			
C 725			
C 190	F1G1H4R0A543	CAPACITOR, 50V, 4pF	2
C 193			
C 259	F1G1H100A452	CAPACITOR, 50V, 10pF	8
C 260			
C 261			
C 263			
C 265			
C 267			
C 268			
C 269			
C 271	F1G1H330A451	CAPACITOR, 50V, 33pF	7

C 272			
C 273			
C 274			
C 275			
C 276			
C 277			
C 285	ECJ2FF1A106Z	CAPACITOR, 10V, 10 μ F	5
C 302			
C 312			
C 370			
C 373			
C 288	ERJ2GEJ103X	RESISTOR, 1/16W, 10K Ω	1
C 320	F1G1H6R0A452	CAPACITOR, 50V, 6pF	2
C 322			
C 324	F1L3D102A003	CAPACITOR, 2000V, 1000pF	1
C 347	F1J0J475A009	CAPACITOR, 6.3V, 4.7 μ F	6
C 348			
C 436			
C 620			
C 642			
C 685			
C 351	F1G1H471A450	CAPACITOR, 50V, 470pF	2
C 634			
C 357	F1H1A105A030	CAPACITOR, 10V, 1 μ F	4
C 361			
C 362			
C 398			
C 358	F1J1A1050021	CAPACITOR, 10V, 1 μ F	1
C 363	F1J0J106A016	CAPACITOR, 6.3V, 10 μ F	6
C 374			
C 426			
C 428			
C 663			
C 701			
C 384	F1G1C473A004	CAPACITOR, 16V, 0.047 μ F	6
C 619			
C 627			
C 629			
C 630			
C 670			
C 386	F1G1A683A014	CAPACITOR, 10V, 0.068 μ F	1
C 405	F1G1H470A451	CAPACITOR, 50V, 47pF	2
C 406			
C 424	F1G1H8R0A452	CAPACITOR, 50V, 8pF	2
C 425			
C 600	F1H1H104A731	CAPACITOR, 50V, 0.1 μ F	1
C 602	F1G1H221A495	CAPACITOR, 50V, 220pF	7
C 641			
C 646			
C 661			

C 662			
C 675			
C 726			
C 603	F1H1H103A748	CAPACITOR, 50V, 0.01μF	2
C 654			
C 604	F1L1E106A021	CAPACITOR, 25V, 10μF	7
C 614			
C 623			
C 671			
C 687			
C 693			
C 714			
C 608	F1J1E105A009	CAPACITOR, 25V, 1μF	1
C 610	F1J1E104A081	CAPACITOR, 25V, 0.1μF	1
C 613	EEFUD0J101ER	CAPACITOR, 6.3V, 100μF	2
C 676			
C 615	F1H1H104A783	CAPACITOR, 50V, 0.1μF	16
C 617			
C 622			
C 655			
C 658			
C 665			
C 682			
C 684			
C 691			
C 700			
C 705			
C 708			
C 709			
C 712			
C 724			
C 727			
C 618	F1K1E1060001	CAPACITOR, 25V, 10μF	7
C 644			
C 645			
C 653			
C 672			
C 716			
C 717			
C 624	EEFUD0G151ER	CAPACITOR, 4V, 150μF	2
C 673			
C 639	F1G1H681A450	CAPACITOR, 50V, 680pF	1
C 640	F1J1H334A533	CAPACITOR, 50V, 0.33μF	1
C 656	F1H1H182A009	CAPACITOR, 50V, 1800pF	2
C 668			
C 674	F1H1H472A748	CAPACITOR, 50V, 4700pF	1
C 704	F1G1H152A450	CAPACITOR, 50V, 1500pF	1
CF 1	D4CC1103A038	THERMISTOR	1
CN 2	K1MMH2B00003	CONNECTOR	1
CN 3	K1KA02BA0014	CONNECTOR	2

CN 26			
CN 4	K1MN45AA0044	CONNECTOR	1
CN 10	K1KA05BA0014	CONNECTOR	1
CN 11	K1KB30AA0049	CONNECTOR	1
CN 12	K1FB315BA003	CONNECTOR	1
CN 13	K1NA09E00027	CONNECTOR	1
CN 14	K1NA68E00096	CONNECTOR	1
CN 15	K1MY26BA0001	CONNECTOR	1
CN 16	K1KA08BA0014	CONNECTOR	1
CN 18	K1KB12A00099	CONNECTOR	1
CN 19	K1MMC4B00011	CONNECTOR	1
CN 21	K1MN12BA0134	CONNECTOR	1
CN 22	K1FY150BA007	CONNECTOR	1
CN 23	K1KA20BA0114	CONNECTOR	1
CN 25	K1MN60B00008	CONNECTOR	1
CN 600	K1KA02B00247	CONNECTOR	1
CN 601	K1KA10B00233	CONNECTOR	1
D 1 D 2 D 3 D 8	MA2J72900L	DIODE	4
D 4 D 641	B0JDBE000002	DIODE	2
D 5 D 6 D 7 D 600 D 601 D 603	B0ADDH000004	DIODE	6
D 10 D 11 D 12 D 13	B3ABB0000164	DIODE	4
D 15	B3AKB0000008	DIODE	1
D 16 D 21	B3ACB0000020	DIODE	2
D 19 D 610 D 612 D 626 D 628 D 631 D 632 D 635	B0JCMD000014	DIODE	8
D 20	B3ABB0000196	DIODE	1
D 22 D 23	B0KB00000044	DIODE	2
D 602	MAZ81200ML	DIODE	1
D 604	MAZ81800ML	DIODE	1
D 605	B0JCCE000008	DIODE	3

D 624			
D 630			
D 606 D 622	MA3S132E0L	DIODE	2
D 609	B0JCQD000001	DIODE	1
D 611 D 627	B0JDAE000004	DIODE	2
D 613 D 614 D 615 D 617 D 618 D 640	MAZ80510ML	DIODE	6
D 616	MAZ80620ML	DIODE	1
D 619 D 621	MA2S111-TX	DIODE	2
D 620	B2ABAM000002	DIODE	1
D 625	DEDRB081L20	DIODE	1
D 629 D 642 D 643	B0JCPD000023	DIODE	3
F 2 F 3	 K5H2021A0003	FUSE, 2A	2
IC 1	C2GBC0000263	IC, CPU	1
IC 2	C1DB00001476	IC, CHIP SET	1
IC 3	C1DB00001359	IC, CHIP SET	1
IC 4 IC 5 IC 6 IC 7 IC 8 IC 9 IC 10 IC 11	C3ABSY000001	IC, MEMORY	8
IC 12	C0JBAZ002423	IC, CLOCK GENERATOR	1
IC 14	C1ZBZ0002445	IC, PC-CARD SW	1
IC 15	C0CBCBG00008	IC, REGULATOR	1
IC 16	C1DB00001182	IC, LAN CONTROLLER	1
IC 17	C3EBCG000100	IC, EEPROM	1
IC 21 IC 22 IC 23 IC 67	C0EBE0000460	IC	4
IC 24	C0EBH0000457	IC	1
IC 25	C0CBCBC00137	IC, REGULATOR	1
IC 26	C2CBA000003	IC, MICON	1
IC 34	C0JBZZ000327	IC, THERMAL SENSOR	1
IC 36	C3FBLC000040	IC, FLASH MEMORY	1
IC 39	C0JBAB000619	IC, GATE LOGIC	1
IC 40	C0JBAA000344	IC, GATE LOGIC	5

IC 50			
IC 52			
IC 77			
IC 614			
IC 41 IC 46 IC 49	C0JBAE000302	IC, LOGIC	3
IC 42 IC 43 IC 73 IC 74	C0JBAA000346	IC, LOGIC	4
IC 44	C1DB00001439	IC, CARDBUS CONTROL	1
IC 55 IC 57	C0JBZZ000371	IC	2
IC 56 IC 59	C0DBZH00043	IC, USB POWER CONTROL	2
IC 60	C1DB00001221	IC, USB-ATAPI LSI	1
IC 61	C1BB00001025	IC, AUDIO AMP	1
IC 62 IC 601	C0ABBA000093	IC, OP AMP	2
IC 63 IC 70 IC 604	C0JBAB000616	IC, LOGIC	3
IC 64	C0CBCBC00181	IC	1
IC 65	C1BB00000868	IC, AC97 CODEC	1
IC 66	C3EBEC000061	IC, EEPROM	1
IC 69	C0CBCAC00183	IC, REGULATOR	1
IC 71	C0JBAZ002422	IC, FET SWITCH	1
IC 600	C0ABZA000047	IC, AMP	1
IC 602 IC 606 IC 607 IC 610	C0DBALH00003	IC	4
IC 603	C0JBAD000182	IC, LOGIC	1
IC 605	C0DBAFH00029	IC	1
IC 608	C0DBEFH00002	IC, REGULATOR	1
IC 609	C0EBE0000333	IC	1
IC 613	C0DBDJH00009	IC, LINER	1
JK 1 JK 2	K2HC103B0090	JK	2
L 1 L 2	G1C100Z00013	INDUCTOR	2
L 3 L 4 L 5 L 7 L 8 L 55	G1C1R0Z00002	INDUCTOR	6
L 6	G1C91NM00001	INDUCTOR	1
L 9	J0JJC0000015	INDUCTOR	1

L 10 L 13 L 25	J0JHC0000074	INDUCTOR	3
L 23 L 24	J0MAB0000169	INDUCTOR	2
L 26 L 54	DDB5Z024E-L	INDUCTOR	2
L 27 L 28 L 29 L 30 L 31 L 32 L 33	J0JCC0000186	INDUCTOR	7
L 34 L 35 L 36 L 37	DDB5Z024C-L	INDUCTOR	4
L 48 L 49 L 50 L 51 L 52 L 53	DDB5Z021C-Y	INDUCTOR	6
L 600	DDB5Z028C-L	INDUCTOR	1
L 601 L 602	DDAZS100MT3T	INDUCTOR	2
L 603	G1C1R6Z00001	INDUCTOR	1
L 604	G1C4R7ZA0059	INDUCTOR	1
L 605	G1C220MA0077	INDUCTOR	1
L 607 L 608	G1C4R7MA0022	INDUCTOR	2
L 609	G1A160H00001	INDUCTOR	1
PS 1 PS 2	K5J1BB000001	POLY SW	2
Q 1 Q 3 Q 7 Q 22 Q 27 Q 28 Q 32 Q 602 Q 608 Q 642 Q 647 Q 653 Q 654 Q 661 Q 662	UNR9214J0L	TRANSISTOR	16

Q 663			
Q 4 Q 8 Q 10 Q 13 Q 17 Q 19 Q 624 Q 625 Q 668	B1DHDC000028	TRANSISTOR	9
Q 5 Q 6 Q 628 Q 630 Q 644 Q 648 Q 657	B1CFGD000004	TRANSISTOR	7
Q 9 Q 12 Q 14 Q 16 Q 29 Q 615 Q 617 Q 618 Q 621 Q 622 Q 623 Q 626 Q 671 Q 672	XP0421300L	TRANSISTOR	14
Q 20 Q 21 Q 600	XP0421400L	TRANSISTOR	3
Q 23	B1GFCFEN0003	TRANSISTOR	1
Q 24 Q 33 Q 664	DETA144EETL	TRANSISTOR	3
Q 31	UNR9111J0L	TRANSISTOR	1
Q 605 Q 606 Q 620 Q 659	UNR9213J0L	TRANSISTOR	4
Q 607 Q 666	B1DHFD000015	TRANSISTOR	2
Q 609 Q 610	B1CHRD000001	TRANSISTOR	2
Q 611 Q 613 Q 632	B1DBGD000006	TRANSISTOR	6

Q 646			
Q 655			
Q 665			
Q 614	B1MBEDA00017	TRANSISTOR	3
Q 636			
Q 638			
Q 619	B1DHFB000003	TRANSISTOR	2
Q 667			
Q 629	B1ABCF000023	TRANSISTOR	2
Q 631			
Q 633	B1DFGD000032	TRANSISTOR	1
Q 637	B1CFGD000003	TRANSISTOR	2
Q 660			
Q 645	B1DFED000020	TRANSISTOR	1
Q 650	B1MBEDA00018	TRANSISTOR	1
Q 674	B1CFMC000008	TRANSISTOR	1
R 1	ERJ2GEJ681X	RESISTOR, 1/16W, 680Ω	2
R 252			
R 2	ERJ2RKF27R4X	RESISTOR, 1/16W, 27.4Ω	3
R 15			
R 16			
R 3	ERJ2GEJ151X	RESISTOR, 1/16W, 150Ω	2
R 6			
R 4	ERJ2RKF54R9X	RESISTOR, 1/16W, 54.9Ω	6
R 7			
R 17			
R 18			
R 35			
R 36			
R 5	ERJ2RKF39R2X	RESISTOR, 1/16W, 39.2Ω	1
R 11	ERJ3GEY0R00V	RESISTOR, 1/16W, 0Ω	5
R 240			
R 335			
R 336			
R 447			
R 12	ERJ2RKF2000X	RESISTOR, 1/16W, 200Ω	2
R 43			
R 13	ERJ2GEJ560X	RESISTOR, 1/16W, 56Ω	6
R 14			
R 27			
R 29			
R 31			
R 32			
R 23	ERJ3GEYJ100V	RESISTOR, 1/16W, 10Ω	6
R 679			
R 703			
R 734			
R 738			
R 780			
R 24	ERJ2RKF1001X	RESISTOR, 1/16W, 1KΩ	1

R 25	ERJ2RKF2001X	RESISTOR, 1/16W, 2K Ω	1
R 26 R 312 R 609 R 613 R 614 R 752	ERJ2GEJ562X	RESISTOR, 1/16W, 5.6K Ω	6
R 28	ERJ2GEJ750X	RESISTOR, 1/16W, 75 Ω	1
R 33 R 39	ERJ2RKF2210X	RESISTOR, 1/16W, 221 Ω	2
R 34 R 40 R 42	ERJ2RKF1000X	RESISTOR, 1/16W, 100 Ω	3
R 37 R 38 R 66 R 232	ERJ2RKF24R9X	RESISTOR, 1/16W, 24.9 Ω	4
R 41 R 114 R 115 R 116 R 117 R 118 R 119 R 120 R 121 R 122 R 123 R 124 R 125 R 126 R 127 R 128 R 129 R 130 R 131 R 132 R 133 R 134 R 135 R 136 R 137 R 138 R 139 R 145 R 147 R 162 R 167 R 169 R 224	ERJ2GE0R00X	RESISTOR, 1/16W, 0 Ω	65

R 229			
R 235			
R 236			
R 245			
R 246			
R 289			
R 297			
R 330			
R 355			
R 356			
R 366			
R 377			
R 379			
R 383			
R 384			
R 417			
R 432			
R 434			
R 436			
R 439			
R 442			
R 443			
R 477			
R 478			
R 479			
R 480			
R 604			
R 689			
R 693			
R 694			
R 784			
R 786			
R 47	ERJ2RKF80R6X	RESISTOR, 1/16W, 80.6Ω	2
R 48			
R 49	ERJ2GEJ103X	RESISTOR, 1/16W, 10KΩ	62
R 190			
R 191			
R 193			
R 198			
R 220			
R 221			
R 225			
R 230			
R 233			
R 241			
R 243			
R 247			
R 279			
R 293			
R 294			

R 302			
R 307			
R 308			
R 315			
R 321			
R 322			
R 324			
R 325			
R 342			
R 353			
R 381			
R 382			
R 386			
R 387			
R 399			
R 400			
R 408			
R 412			
R 419			
R 420			
R 421			
R 423			
R 445			
R 446			
R 454			
R 457			
R 459			
R 463			
R 471			
R 616			
R 684			
R 697			
R 698			
R 705			
R 710			
R 711			
R 717			
R 719			
R 722			
R 728			
R 730			
R 731			
R 746			
R 747			
R 776			
R 781			
R 50	ERJ2GEJ222X	RESISTOR, 1/16W, 2.2KΩ	8
R 51			
R 280			
R 281			

R 285			
R 286			
R 340			
R 341			
R 52	ERJ2GEJ101X	RESISTOR, 1/16W, 100Ω	25
R 203			
R 226			
R 228			
R 242			
R 259			
R 288			
R 290			
R 309			
R 319			
R 362			
R 365			
R 401			
R 402			
R 418			
R 449			
R 617			
R 618			
R 651			
R 652			
R 653			
R 654			
R 655			
R 656			
R 788			
R 53	ERJ2RKF1002X	RESISTOR, 1/16W, 10KΩ	1
R 54	ERJ2RKF75R0X	RESISTOR, 1/16W, 75Ω	3
R 55			
R 56			
R 57	D1H82224A024	RESISTOR ARRAY	1
R 58	ERJ2RKF1501X	RESISTOR, 1/16W, 1.5KΩ	2
R 462			
R 63	ERJ2GEJ390X	RESISTOR, 1/16W, 39Ω	2
R 64			
R 65	ERJ2RKF2550X	RESISTOR, 1/16W, 255Ω	1
R 67	ERJ6GEYJ100V	RESISTOR, 1/10W, 10Ω	1
R 68	ERJ2GEJ201X	RESISTOR, 1/16W, 200Ω	4
R 70			
R 72			
R 74			
R 80	D1HG2208A001	RESISTOR ARRAY	8
R 81			
R 82			
R 83			
R 108			
R 109			

R 110			
R 111			
R 84	ERJ2GEJ220X	RESISTOR, 1/16W, 22Ω	27
R 85			
R 86			
R 87			
R 88			
R 89			
R 90			
R 91			
R 92			
R 93			
R 94			
R 95			
R 96			
R 97			
R 98			
R 99			
R 100			
R 101			
R 102			
R 103			
R 104			
R 105			
R 106			
R 107			
R 350			
R 351			
R 444			
R 112	D1HA56080001	RESISTOR ARRAY	7
R 113			
R 140			
R 141			
R 142			
R 143			
R 144			
R 149	ERJ2GEJ102X	RESISTOR, 1/16W, 1KΩ	12
R 150			
R 151			
R 152			
R 267			
R 300			
R 339			
R 354			
R 425			
R 474			
R 475			
R 677			
R 153	ERJ3GEYJ2R2V	RESISTOR, 1/16W, 2.2Ω	2
R 176			

R 154 R 155 R 156 R 157 R 158 R 159 R 194 R 195 R 196 R 197 R 295 R 313 R 314 R 316 R 317 R 404	ERJ2RKF49R9X	RESISTOR, 1/16W, 49.9Ω	16
R 160 R 161 R 185 R 409	ERJ2GEJ120X	RESISTOR, 1/16W, 12Ω	4
R 166 R 178 R 179 R 181 R 182 R 183 R 186 R 187 R 188 R 189 R 219 R 265 R 266 R 270 R 271 R 407 R 464 R 465 R 468	ERJ2GEJ330X	RESISTOR, 1/16W, 33Ω	19
R 170	D1H83304A024	RESISTOR ARRAY	1
R 175	ERJ2RKF4750X	RESISTOR, 1/16W, 475Ω	1
R 177 R 248 R 685	ERJ3GEYJ1R0V	RESISTOR, 1/16W, 1Ω	3
R 192 R 217 R 222 R 276 R 277 R 278	ERJ2GEJ104X	RESISTOR, 1/16W, 100KΩ	35

R 287			
R 291			
R 296			
R 299			
R 305			
R 329			
R 346			
R 358			
R 363			
R 369			
R 371			
R 375			
R 388			
R 395			
R 396			
R 413			
R 415			
R 612			
R 621			
R 622			
R 628			
R 629			
R 646			
R 649			
R 650			
R 690			
R 745			
R 789			
R 795			
R 218	D1H81034A024	RESISTOR ARRAY	9
R 223			
R 256			
R 301			
R 333			
R 359			
R 410			
R 431			
R 473			
R 231	ERJ2RKF22R6X	RESISTOR, 1/16W, 22.6Ω	1
R 237	ERJ2GEJ203X	RESISTOR, 1/16W, 20KΩ	1
R 238	ERJ2GEJ106X	RESISTOR, 1/16W, 10MΩ	1
R 239	ERJ2GEJ105X	RESISTOR, 1/16W, 1MΩ	10
R 318			
R 348			
R 349			
R 619			
R 627			
R 647			
R 678			
R 683			

R 790			
R 249 R 250	ERJ3GEYJ121V	RESISTOR, 1/16W, 120Ω	2
R 253 R 254 R 255 R 304 R 389 R 458	DEARA8AJ103M	RESISTOR ARRAY	6
R 258 R 261 R 263 R 264 R 303 R 344 R 368 R 448 R 623 R 661 R 687 R 773	ERJ2GEJ473X	RESISTOR, 1/16W, 47KΩ	12
R 268 R 269	J0JAC0000021	FILTER	2
R 272 R 441 R 451 R 472 R 686 R 756	ERJ2GEJ472X	RESISTOR, 1/16W, 4.7KΩ	6
R 298 R 663 R 664 R 701 R 702 R 706 R 707 R 714 R 715 R 723 R 727 R 732 R 736 R 777 R 778	ERJ2GEJ100X	RESISTOR, 1/16W, 10Ω	15
R 311	ERJ2RHD562X	RESISTOR, 1/16W, 5.6KΩ	1
R 331 R 657	ERJ2GEJ223X	RESISTOR, 1/16W, 22KΩ	2
R 338 R 440 R 704	ERJ2GEJ153X	RESISTOR, 1/16W, 15KΩ	6

R 716			
R 739			
R 775			
R 306	ERJ2GEJ334X	RESISTOR, 1/16W, 330K Ω	2
R 372			
R 320	EXBV8V750JV	RESISTOR ARRAY	1
R 323	ERJ2GEJ333X	RESISTOR, 1/16W, 33K Ω	3
R 334			
R 343			
R 326	ERJ2GEJ363X	RESISTOR, 1/16W, 36K Ω	3
R 327			
R 328			
R 347	ERJ2GEJ471X	RESISTOR, 1/16W, 470 Ω	2
R 397			
R 380	ERJ2RKF3901X	RESISTOR, 1/16W, 3.9K Ω	1
R 385	ERJ2RHD103X	RESISTOR, 1/16W, 10K Ω	3
R 608			
R 611			
R 390	ERJ2GEJ561X	RESISTOR, 1/16W, 560 Ω	2
R 391			
R 392	ERJ3GEYJ151V	RESISTOR, 1/16W, 150 Ω	2
R 393			
R 394	ERJ2GEJ391X	RESISTOR, 1/16W, 390 Ω	1
R 398	ERJ2GEJ470X	RESISTOR, 1/16W, 47 Ω	2
R 452			
R 403	ERJ6GEYJ101V	RESISTOR, 1/10W, 100 Ω	2
R 450			
R 453	ERJ2RKF39R0X	RESISTOR, 1/16W, 39 Ω	2
R 461			
R 456	ERJ2RKF2431X	RESISTOR, 1/16W, 2.43K Ω	1
R 466	ERJ6GEY0R00V	RESISTOR, 1/10W, 0K Ω	1
R 600	ERJ2RHD104X	RESISTOR, 1/16W, 100K Ω	2
R 603			
R 601	ERJ2RKD154X	RESISTOR, 1/16W, 150K Ω	2
R 602			
R 605	D1ZZ00000046	RESISTOR, 1W, 5m Ω	2
R 692			
R 606	ERJ3GEYJ562V	RESISTOR, 1/16W, 5.6K Ω	1
R 610	RL1220SR47F	RESISTOR, 1/8W, 0.47 Ω	1
R 615	ERJ2GEJ474X	RESISTOR, 1/16W, 470K Ω	4
R 744			
R 754			
R 774			
R 620	ERJ3GEYJ3R3V	RESISTOR, 1/16W, 3.3 Ω	1
R 624	RL1220SR15F	RESISTOR, 1/8W, 0.15 Ω	3
R 625			
R 626			
R 630	D1BDR0220001	RESISTOR, 1/8W, 0.022 Ω	7
R 631			
R 695			

R 696			
R 725			
R 726			
R 743			
R 632	ERA3YKB104V	RESISTOR, 1/16W, 100KΩ	3
R 751			
R 762			
R 633	ERA3YEB203V	RESISTOR, 1/16W, 20KΩ	2
R 740			
R 639	ERA3YEB103V	RESISTOR, 1/16W, 10KΩ	1
R 640	ERA3YEB303V	RESISTOR, 1/16W, 30KΩ	1
R 641	D1BDR0330001	RESISTOR, 1/8W, 0.033Ω	3
R 642			
R 741			
R 644	ERJ2GEJ684X	RESISTOR, 1/16W, 680KΩ	1
R 648	ERJ2GEJ225X	RESISTOR, 1/16W, 2.2MΩ	1
R 658	ERJ6GEYJ561V	RESISTOR, 1/10W, 560Ω	1
R 659	ERJ6GEYJ222V	RESISTOR, 1/10W, 2.2KΩ	2
R 660			
R 665	ERJ2RKF1004X	RESISTOR, 1/16W, 1MΩ	2
R 671			
R 666	ERJ2RHD223X	RESISTOR, 1/16W, 22KΩ	1
R 667	ERJ2RHD333X	RESISTOR, 1/16W, 33KΩ	1
R 668	ERJ2RKF1003X	RESISTOR, 1/16W, 100KΩ	2
R 676			
R 669	ERJ2RHD222X	RESISTOR, 1/16W, 2.2KΩ	1
R 670	ERJ2RKF5102X	RESISTOR, 1/16W, 51KΩ	2
R 712			
R 672	ERJ2RHD133X	RESISTOR, 1/16W, 13KΩ	1
R 674	ERJ2RHD123X	RESISTOR, 1/16W, 12KΩ	2
R 724			
R 680	ERJ2GEJ154X	RESISTOR, 1/16W, 150KΩ	2
R 688			
R 681	ERJ2GEJ513X	RESISTOR, 1/16W, 51KΩ	1
R 682	ERJ2GEJ302X	RESISTOR, 1/16W, 3KΩ	1
R 708	ERJ2RKF4701X	RESISTOR, 1/16W, 4.7KΩ	1
R 709	ERJ2RKF1502X	RESISTOR, 1/16W, 15KΩ	2
R 733			
R 713	ERJ2RKF2402X	RESISTOR, 1/16W, 24KΩ	1
R 720	D1BDR0470002	RESISTOR, 1/8W, 0.047Ω	1
R 729	ERA3YEB622V	RESISTOR, 1/16W, 6.2KΩ	1
R 735	ERJ2GEJ221X	RESISTOR, 1/16W, 220Ω	1
R 737	ERA3YEB471V	RESISTOR, 1/16W, 470Ω	1
R 742	ERA3YEB243V	RESISTOR, 1/16W, 24KΩ	1
R 748	ERJ2RKD114X	RESISTOR, 1/16W, 110KΩ	1
R 749	ERJ2RKF1503X	RESISTOR, 1/16W, 150KΩ	1
R 750	ERJ2RHD3652X	RESISTOR, 1/16W, 36.5KΩ	1
R 757	ERJ2RHD302X	RESISTOR, 1/16W, 3KΩ	2
R 758			
R 759	D1BDR0680001	RESISTOR, 1/8W, 0.068Ω	2

R 760			
R 763	ERA3YEB333V	RESISTOR, 1/16W, 33K Ω	1
R 768	ERJ2RHD132X	RESISTOR, 1/16W, 1.3K Ω	1
R 769	ERJ2RKF1102X	RESISTOR, 1/16W, 11K Ω	2
R 772			
R 771	ERJ2RKF1302X	RESISTOR, 1/16W, 13K Ω	1
R 779	ERA3YEB621V	RESISTOR, 1/16W, 620 Ω	1
R 793	ERJ1TYJ201U	RESISTOR, 1W, 200 Ω	2
R 794			
SW 5	K0ZZ00000617	SW	1
SW 6	ESD165225	SW	1
SW 7	K0D112B00071	SW	1
SW 8	EVQPLDA15	SW	2
SW 9			
T 1	G5BYC0000010	TRANCE	1
X 1	H0J143500058	OSCILLATOR, 14.318MHz	1
X 2	H0J327200141	OSCILLATOR, 32.768KHz	1
X 3	H0J250500025	OSCILLATOR, 25MHz	1
X 4	H2D800400015	OSCILLATOR, 8MHz	1
X 5	H0J300500011	OSCILLATOR, 30MHz	1
ZA 1	DRHM0100ZA	SPACER	1
ZA 2	DRHM0099ZA	SPACER	1
USB PCB			
C 901	EEFUD0J151ER	CAPACITOR, 6.3V, 150 μ F	2
C 902			
CN 901	K1KA12BA0014	CONNECTOR	1
CN 902	K1FB104B0055	CONNECTOR	2
CN 903			
D 901	B0KB00000044	DIODE	2
D 902			
L 901	J0MAB0000116	INDUCTOR	2
L 902			
L 903	J0JHC0000074	INDUCTOR	4
L 904			
L 905			
L 906			
SW PCB			
C 951	F1G1A104A014	CAPACITOR, 10V, 0.1 μ F	2
C 952			
C 953	F1G1E103A062	CAPACITOR, 25V, 0.01 μ F	1
CN 952	K1KA02BA0181	CONNECTOR	1
CN 951	K1MY20BA0002	CONNECTOR	1
D 951	B3ABB0000196	DIODE	1
D 952	MA2S111-TX	DIODE	1
IC 951	C0EBE0000460	IC	1
Q 952	B1DHFB000003	TRANSISTOR	1
Q 951	UNR9214J0L	TRANSISTOR	1
R 952	ERJ2GEJ104X	RESISTOR, 1/16W, 100K Ω	1
R 951	ERJ3GEYJ101V	RESISTOR, 1/16W, 100 Ω	1
R 953	ERJ6GEY0R00V	RESISTOR, 1/10W, 0 Ω	1

SW 951	K0D113B00081	SW	1
SW 952	K0L1BA000115	SW	2
SW 953			